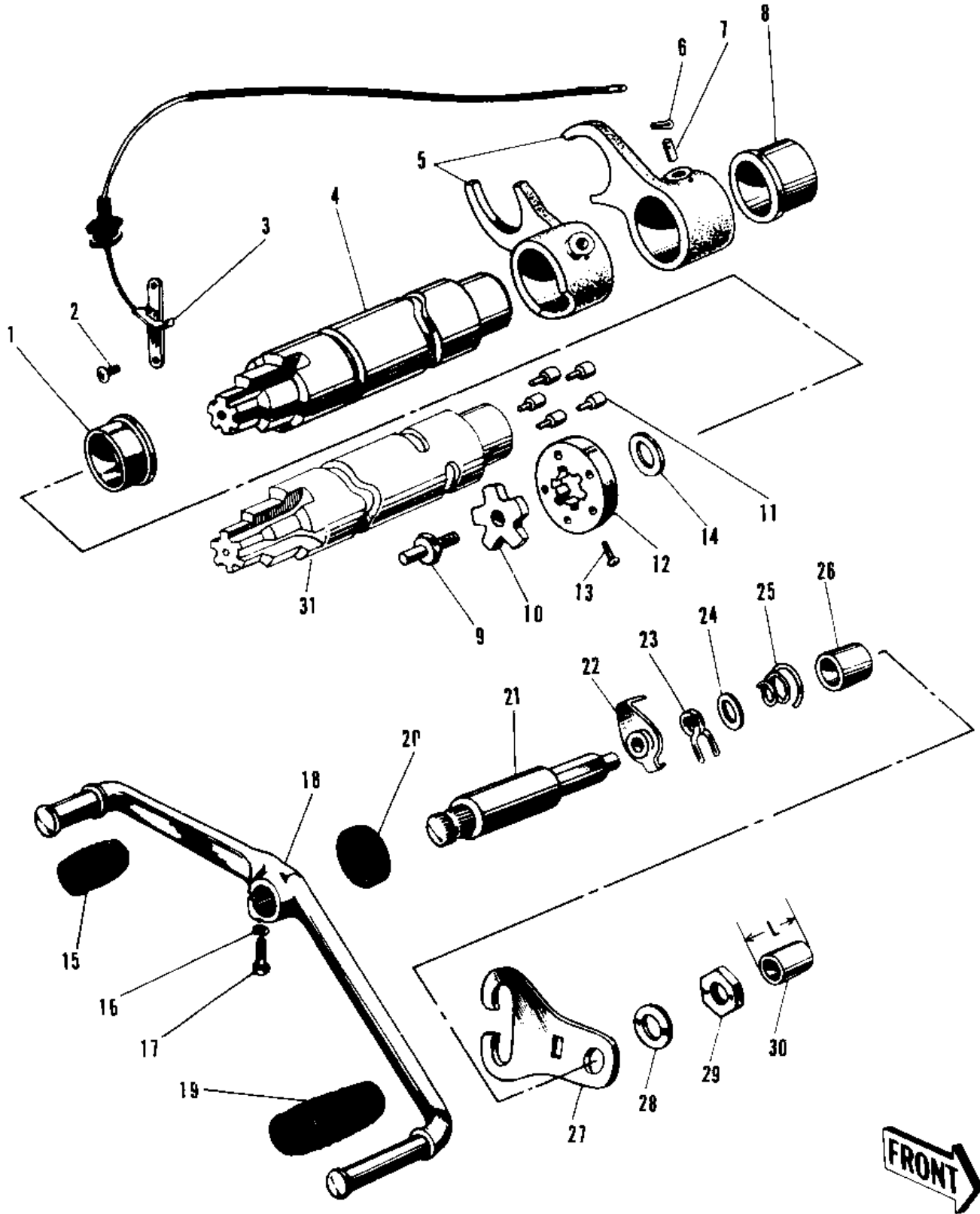


1967 W1 PARTS DIAGRAM

GEAR CHANGE MECHANISM



FRONT 

1967 W1 PARTS LIST

GEAR CHANGE MECHANISM

ITEM NAME	PART NUMBER	QUANTITY
UNAVAILABLE IN PRICE BOOK (Ref # 1)	92028-060	1
SCREW PAN HEAD 6X8 (Ref # 2)	220B0608	2
SWITCH NEUTRAL (Ref # 3)	13151-008	1
FORK SELECTOR (Ref # 5)	13140-016	2
PIN COTTER 3.0X20 (Ref # 6)	550D3020	2
PIN SELECT FORK GUIDE (Ref # 7)	92043-005	2
BUSH CHANGE DRUM B (Ref # 8)	92028-064	1
BOLT HEX HEAD 8MM (Ref # 9)	92001-022	1
WASHER CHNG DR OPR DS (Ref # 10)	92022-059	1
PIN GEAR CHANGE DRUM (Ref # 11)	92042-011	5
PLATE CHANGE DRUM PIN (Ref # 12)	13142-006	1
SCREW PAN HEAD 4X6 (Ref # 13)	211Z0406	1
UNAVAILABLE IN PRICE BOOK (Ref # 13)	211Z0406A	1
PLATE CHANGE DRUM PIN (Ref # 14)	13142-005	1
RUBBER CHANGE PEDAL B (Ref # 15)	13157-003	1
WASHER SPRING 8MM (Ref # 16)	461F0800	1
BOLT-SMALL-UPSET,8X22 (Ref # 17)	115B0822	1
PEDAL GEAR CHANGE (Ref # 18)	13156-022	1
RUBBER CHANGE PEDAL A (Ref # 19)	13157-002	1
OIL SEAL VB20326 (Ref # 20)	92053-004	1
SHAFT GEAR CHNG PEDAL (Ref # 21)	13167-010	1
LEVER GEAR CHANGE (Ref # 22)	13163-010	1
SPRING CHANGE PEDAL (Ref # 23)	92083-006	1
WASHER 16MM (Ref # 24)	13164-001	1
SPRING CHANGE LEVER (Ref # 25)	92081-016	1
SPACER RATCHET LEVER (Ref # 26)	92026-018	1
LEVER GEAR CHNG PAWL (Ref # 27)	13165-010	1
WASHER RATCHET LEVER (Ref # 28)	92022-061	1
NUT 16MM (Ref # 29)	92016-036	1

1967 W1 PARTS LIST

GEAR CHANGE MECHANISM

ITEM NAME	PART NUMBER	QUANTITY
BUSH CHANGE PEDAL SHT (Ref # 30)	92028-063	1
DRUM GEAR CHANGE (Ref # 31)	13141-018	1