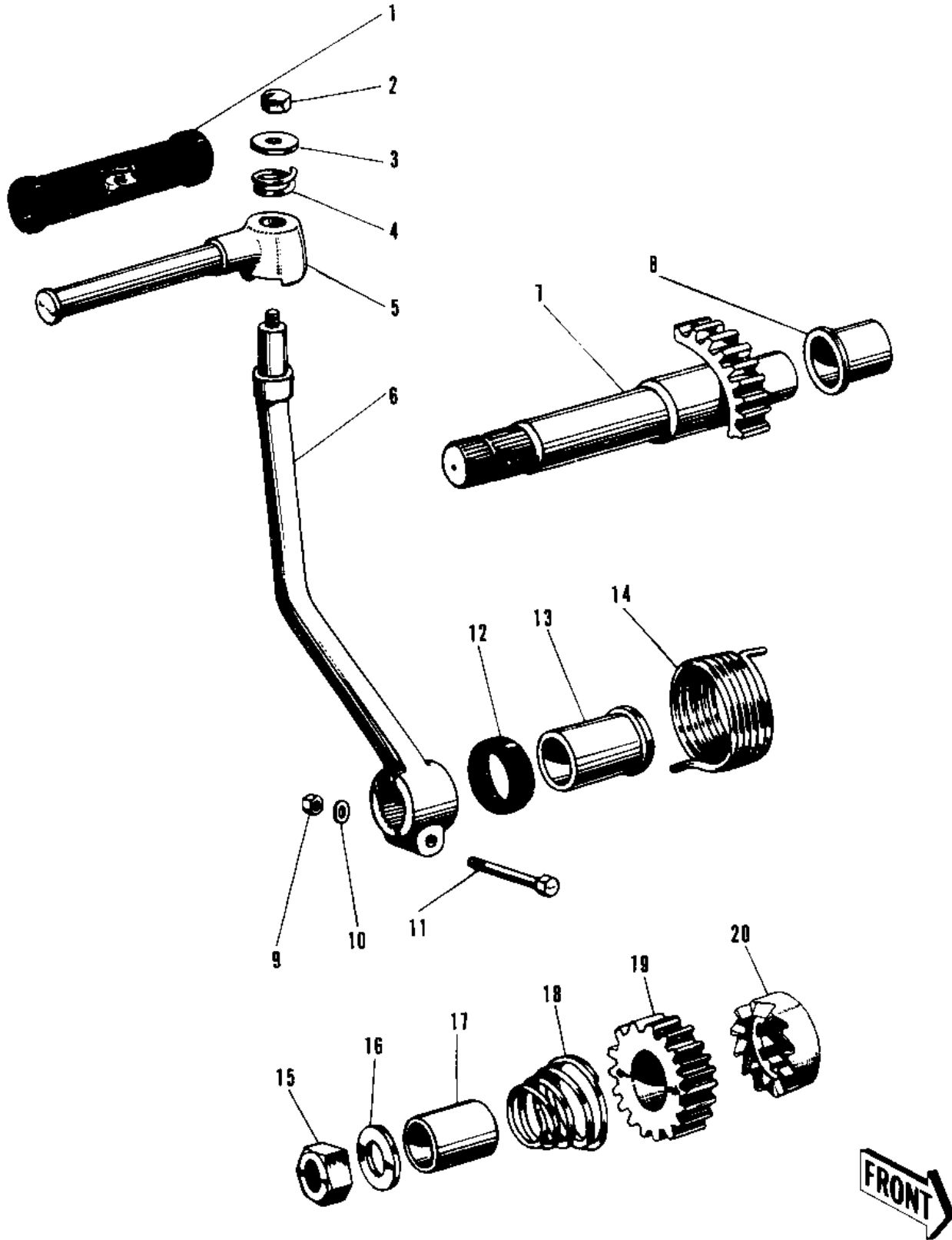


1966 W1 PARTS DIAGRAM

KICKSTARTER MECHANISM



1966 W1 PARTS LIST

KICKSTARTER MECHANISM

ITEM NAME	PART NUMBER	QUANTITY
RUBBER KICK PEDAL (Ref # 1)	13063-004	1
PEDAL ASSY,KICKSTARTR (Ref # 2~6)	13064-004	1
NUT KICK PEDAL (Ref # 2)	92015-024	1
WASHER KICK PEDAL (Ref # 3)	92022-089	1
SPRING KICK PEDAL LEW (Ref # 4)	92081-060	1
LEVER KICK PEDAL (Ref # 5)	13060-011	1
UNAVAILABLE IN PRICE BOOK (Ref # 7)	13066-011	
SHAFT KICKSTARTER (Ref # 7)	13066-010	1
BUSH L.H KICK SHAFT (Ref # 8)	92028-061	1
NUT,10MM (Ref # 9)	314B1000	1
WASHER SPRING 10MM (Ref # 10)	461F1000	1
BOLT HEX HEAD 10X35 (Ref # 11)	113N1035	1
OIL SEAL VC22345 (Ref # 12)	92054-003	1
BUSH R.H KICK SHAFT (Ref # 13)	92028-062	1
SPRING KICKSTARTER (Ref # 14)	92081-032	1
NUT 16MM (Ref # 15)	315B1600	1
WASHER MAIN SHT THRST (Ref # 16)	92026-040	1
BUSH RATCHET GEAR (Ref # 17)	92028-049	1
SPRING RATCHET GEAR (Ref # 18)	92081-030	1
GEAR RATCHET (Ref # 19)	13079-002	
GEAR RATCHET (Ref # 19)	13079-003	1
RATCHET (Ref # 20)	13078-002	1