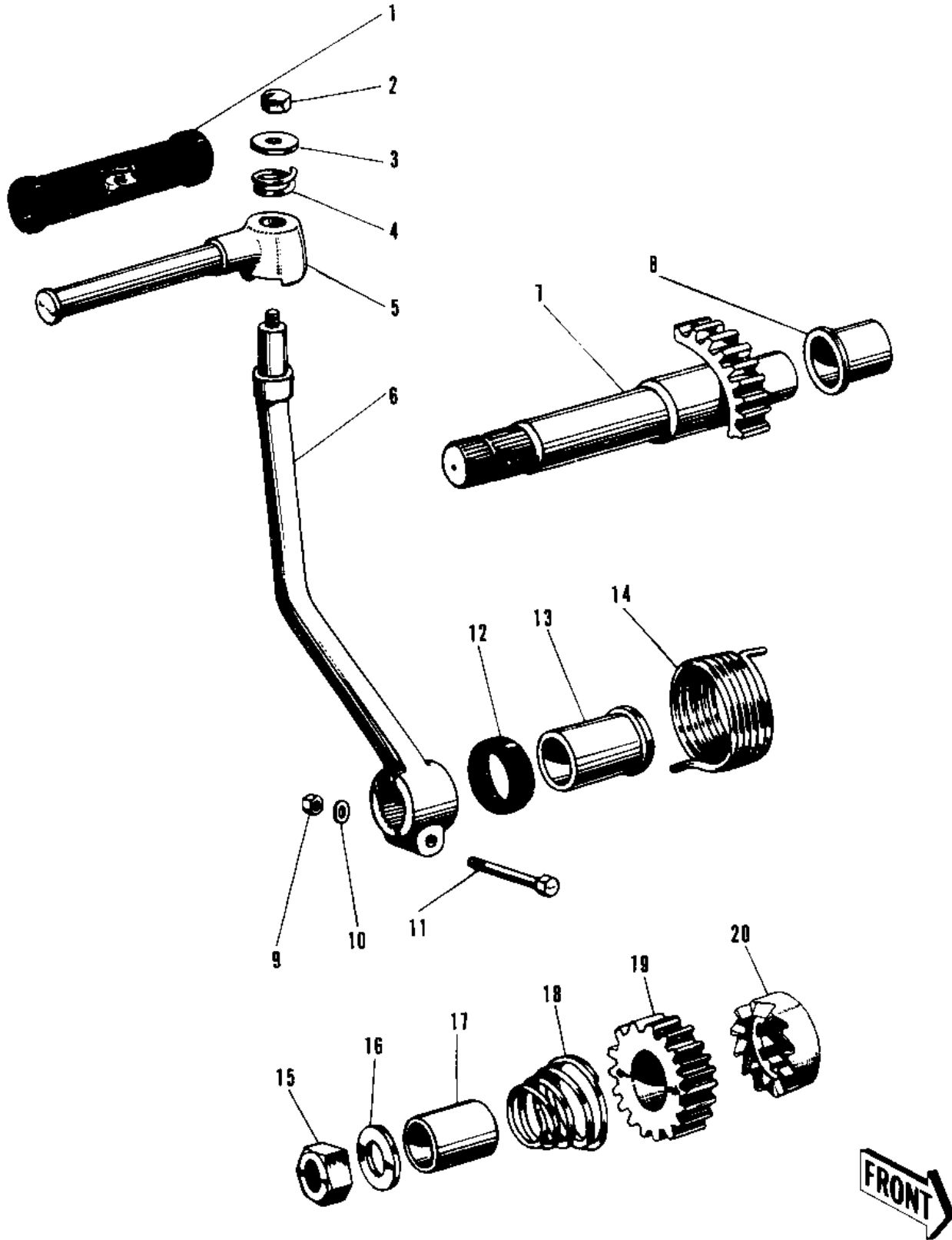


1969 Commander PARTS DIAGRAM

KICKSTARTER MECHANISM



1969 Commander PARTS LIST

KICKSTARTER MECHANISM

| ITEM NAME | PART NUMBER | QUANTITY |
|-------------------------------------|-------------|----------|
| RUBBER KICK PEDAL (Ref # 1) | 13063-004 | 1 |
| PEDAL ASSY,KICKSTARTR (Ref # 2~6) | 13064-004 | 1 |
| NUT KICK PEDAL (Ref # 2) | 92015-024 | 1 |
| WASHER KICK PEDAL (Ref # 3) | 92022-089 | 1 |
| SPRING KICK PEDAL LEW (Ref # 4) | 92081-060 | 1 |
| LEVER KICK PEDAL (Ref # 5) | 13060-011 | 1 |
| UNAVAILABLE IN PRICE BOOK (Ref # 7) | 13066-011 | 1 |
| SHAFT KICKSTARTER (Ref # 7) | 13066-010 | 1 |
| BUSH L.H KICK SHAFT (Ref # 8) | 92028-061 | 1 |
| NUT,10MM (Ref # 9) | 314B1000 | 1 |
| WASHER SPRING 10MM (Ref # 10) | 461F1000 | 1 |
| BOLT HEX HEAD 10X35 (Ref # 11) | 113N1035 | 1 |
| OIL SEAL VC22345 (Ref # 12) | 92054-003 | 1 |
| BUSH R.H KICK SHAFT (Ref # 13) | 92028-062 | 1 |
| SPRING KICKSTARTER (Ref # 14) | 92081-032 | 1 |
| NUT 16MM (Ref # 15) | 315B1600 | 1 |
| WASHER MAIN SHT THRST (Ref # 16) | 92026-040 | 1 |
| BUSH RATCHET GEAR (Ref # 17) | 92028-049 | 1 |
| SPRING RATCHET GEAR (Ref # 18) | 92081-030 | 1 |
| GEAR RATCHET (Ref # 19) | 13079-002 | 1 |
| GEAR RATCHET (Ref # 19) | 13079-003 | 1 |
| RATCHET (Ref # 20) | 13078-002 | 1 |