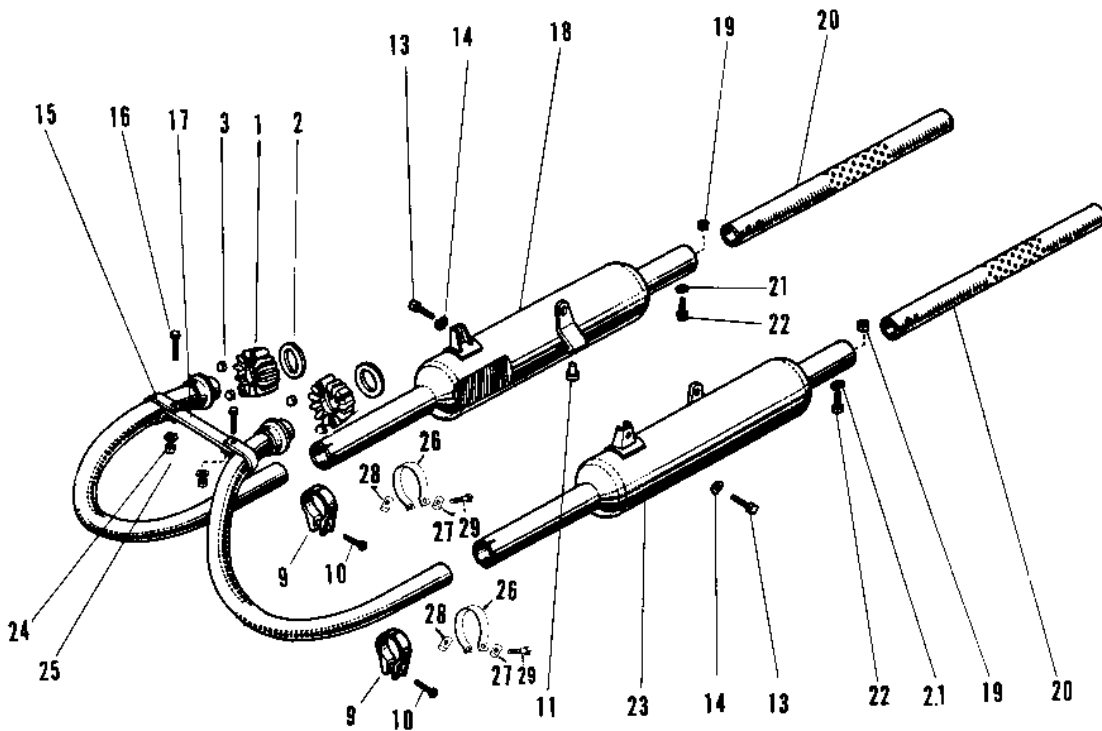
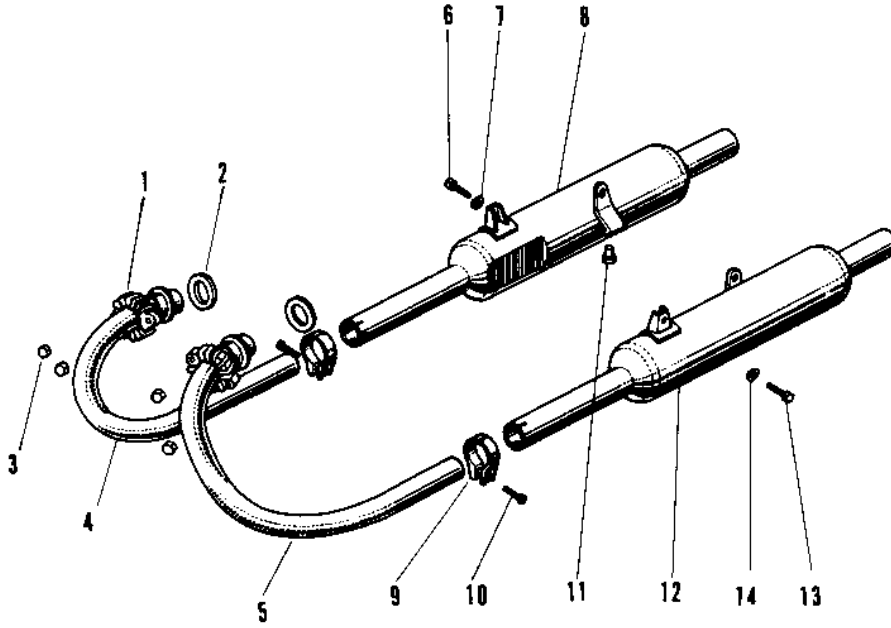


1968 W1SS PARTS DIAGRAM

MUFFLERS (W1SS/W2SS)



1968 W1SS PARTS LIST

MUFFLERS (W1SS/W2SS)

| ITEM NAME | PART NUMBER | QUANTITY |
|---|-------------|----------|
| JOINT EXHAUST PIPE (Ref # 1) | 18069-019 | 2 |
| GASKET,EXHAUST PIPE H (Ref # 2) | 11009-1840 | 2 |
| UNAVAILABLE IN PRICE BOOK (Ref # 3) | 92015-012 | 4 |
| PIPE-EXHAUST,R.H (Ref # 4) | 18049-073 | 1 |
| PIPE-EXHAUST,L.H (Ref # 5) | 18049-072 | 1 |
| BOLT HEAD LAMP MOUNT (Ref # 6) | 92007-003 | 2 |
| WASHER SPRING 8MM (Ref # 7) | 461F0800 | 2 |
| MUFFLER SET R.H (Ref # 8) | 18003-013 | 1 |
| CLAMP (Ref # 9) | 92037-030 | 2 |
| SCREW FLT FIL HD 6X25 (Ref # 10) | 210E0625 | (2 |
| SCREW PAN HEAD 6X25 (Ref # 10) | 220B0625 | 2 |
| DAMPER RUBB MAIN STAD (Ref # 11) | 92075-015 | 1 |
| MUFFLER ASSY L.H (Ref # 12) | 18002-032 | 1 |
| BOLT HEAD LAMP MOUNT (Ref # 13) | 92007-003 | 2 |
| WASHER SPRING 8MM (Ref # 14) | 461F0800 | 2 |
| CLAMP EXHAUST PIPE (Ref # 15) | 92037-036 | 2 |
| BOLT-SMALL-UPSET,8X18 (Ref # 16) | 115G0818 | 2 |
| HOLDER EXHAUST PIPE (Ref # 17) | 18072-001 | 1 |
| UNAVAILABLE IN PRICE BOOK (Ref # 18~22) | 18003-014 | (1 |
| MUFFLER ASSY R.H (Ref # 18~22) | 18001-021 | 1 |
| UNAVAILABLE IN PRICE BOOK (Ref # 19~23) | 18002-033 | (1 |
| UNAVAILABLE IN PRICE BOOK (Ref # 19~23) | 18002-034 | 1 |
| NUT 6MM (Ref # 19) | 311B0600 | 2 |
| BUFFLE TUBE (Ref # 20) | 18034-009 | (1 |
| BAFFLE TUBE (Ref # 20) | 18033-042 | 2 |
| WASHER SPRING 6MM (Ref # 21) | 461F0600 | 2 |
| BOLT HEX HEAD 6X8 (Ref # 22) | 110B0608 | 2 |
| WASHER SPRING 8MM (Ref # 24) | 461F0800 | 2 |
| NUT,8MM (Ref # 25) | 311B0800 | 2 |

1968 W1SS PARTS LIST

MUFFLERS (W1SS/W2SS)

| ITEM NAME | PART NUMBER | QUANTITY |
|-----------------------------|-------------|----------|
| CLAMP (Ref # 26) | 92037-038 | 2 |
| BAND END B (Ref # 27) | 21056-003 | 2 |
| BAND END A (Ref # 28) | 21056-002 | 2 |
| BOLT-SMALL-UPSET (Ref # 29) | 115B0832 | 2 |