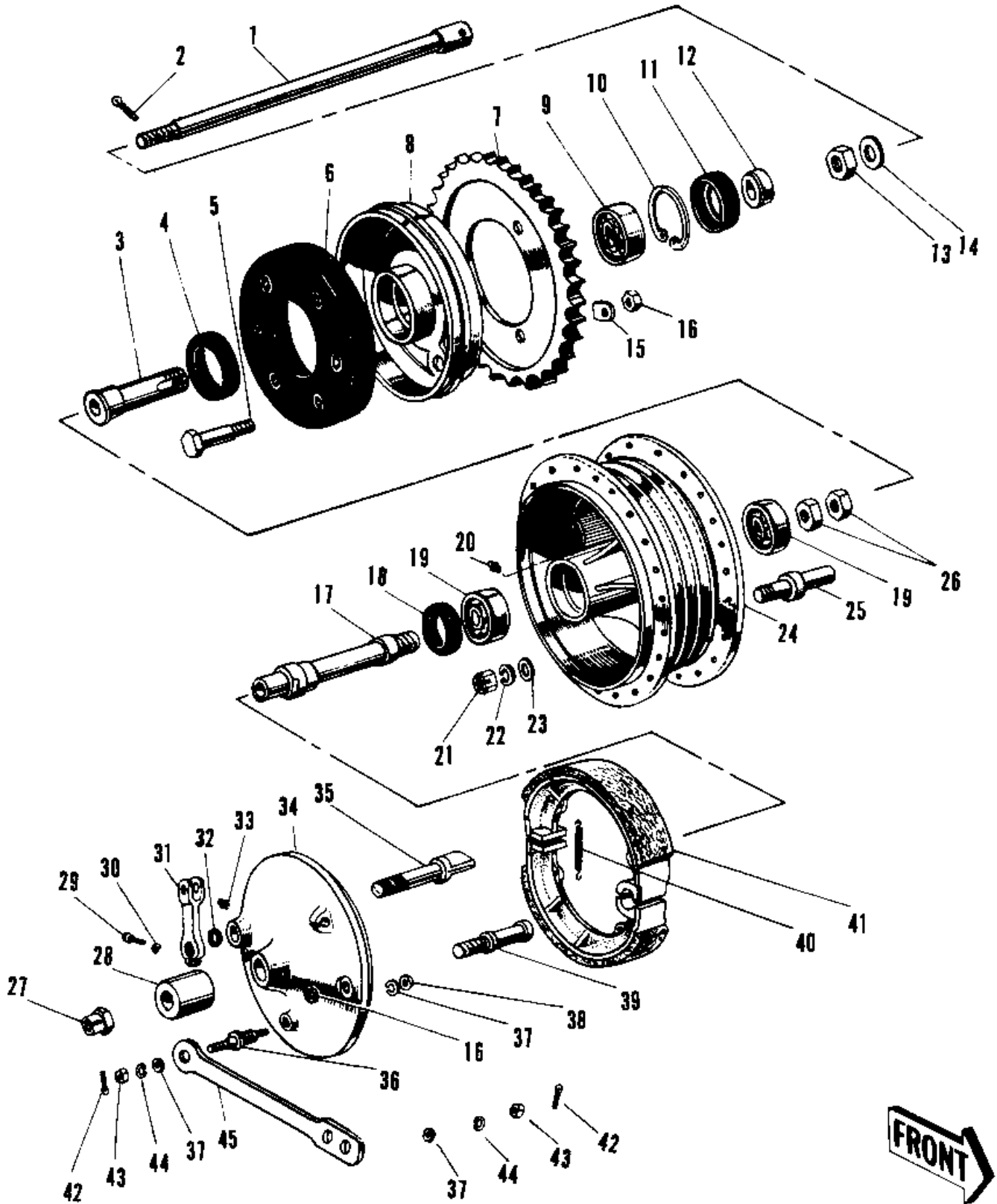


# 1969 Commander PARTS DIAGRAM

REAR HUB/BRAKE (EARLY PRODUCTION)



# 1969 Commander PARTS LIST

## REAR HUB/BRAKE (EARLY PRODUCTION)

ITEM NAME	PART NUMBER	QUANTITY
AXLE REAR (Ref # 1)	42031-018	1
PIN COTTER 4.0X30 (Ref # 2)	550D4030	1
COUPRING ASSY RR HUB (Ref # 3,4,8,)	42033-002	1
SLEEVE L.H REAR AXLE (Ref # 3)	42036-004	1
OIL SEAL COUPLING (Ref # 4)	92053-008	1
BOLT SHOCK DAMPER FIT (Ref # 5)	92003-032	3
DAMPER REAR HUB SHOCK (Ref # 6)	42014-011	(1
DAMPER REAR HUB SHOCK (Ref # 6)	42014-011	1
REAR SPROCKET 41T (Ref # 7)	42041-034	1
BEARING BALL #6205 (Ref # 9)	601B6205	1
RING,SNAP,56.2M/M (Ref # 10)	92033-1043	1
OIL SEAL WTC35527 (Ref # 11)	92052-006	1
COLLAR L.H REAR AXLE (Ref # 12)	42037-009	(1
COLLAR L.H REAR AXLE (Ref # 12)	42037-019	1
NUT L.H SLEEVE (Ref # 13)	42045-007	1
WASHER L.H SLEEVE (Ref # 14)	42046-010	1
WASHER-SPROCKET LOCK (Ref # 15)	92088-015	3
NUT-HEX-FINE,12MM (Ref # 16)	315B1200	4
SLEEVE R.H.REAR AXLE (Ref # 17)	42011-001	1
OIL SEAL RR AXLE R.H (Ref # 18)	652A355508	1
BEARING CONE ROLLER (Ref # 19)	92116-001	2
GREASE NIPPLE 6MM (Ref # 20)	92005-001	1
NUT CASTLE 12MM (Ref # 21)	321B1200	3
WASHER SPRING 12MM (Ref # 22)	461F1200	3
WASHER PLAIN 12MM (Ref # 23)	411B1200	3
STUD SHOCK DAMPER (Ref # 25)	42038-002	3
NUT BEARING ADJUST (Ref # 26)	42045-008	2
NUT CASTLE 16M/M (Ref # 27)	42045-014	1
COLLAR REAR HUB R.H (Ref # 28)	42032-007	1

# 1969 Commander PARTS LIST

## REAR HUB/BRAKE (EARLY PRODUCTION)

ITEM NAME	PART NUMBER	QUANTITY
BOLT-UPSET,6X40 (Ref # 29)	112G0640	1
WASHER SPRING 6MM (Ref # 30)	461F0600	1
LEVER REAR BRAKE CAM (Ref # 31)	42029-009	1
DUST SHIELD BRAKE CAM (Ref # 32)	41051-001	1
GREASE NIPPLE (Ref # 33)	92080-002	1
UNAVAILABLE IN PRICE BOOK (Ref # 13,29~)	42006-017	1
CAM SHAFT,REAR BRAKE (Ref # 35)	42026-017	1
PIN REAR TORQUE LINK (Ref # 36)	42017-004	1
WASHER PLAIN 10MM (Ref # 37)	411B1000	3
NUT,10MM (Ref # 38)	314B1000	2
UNAVAILABLE IN PRICE BOOK (Ref # 39)	41044-002	1
SPRING BRAKE SHOE (Ref # 40)	42020-003	2
SHOE,BRAKE (Ref # 41)	42019-007	2
PIN COTTER 2.0X20 (Ref # 42)	550D2020	2
NUT CASTLE 10MM (Ref # 43)	321B1000	1
WASHER SPRING 10MM (Ref # 44)	461F1000	2
TORQUE LINK REAR BRK (Ref # 45)	43007-013	1