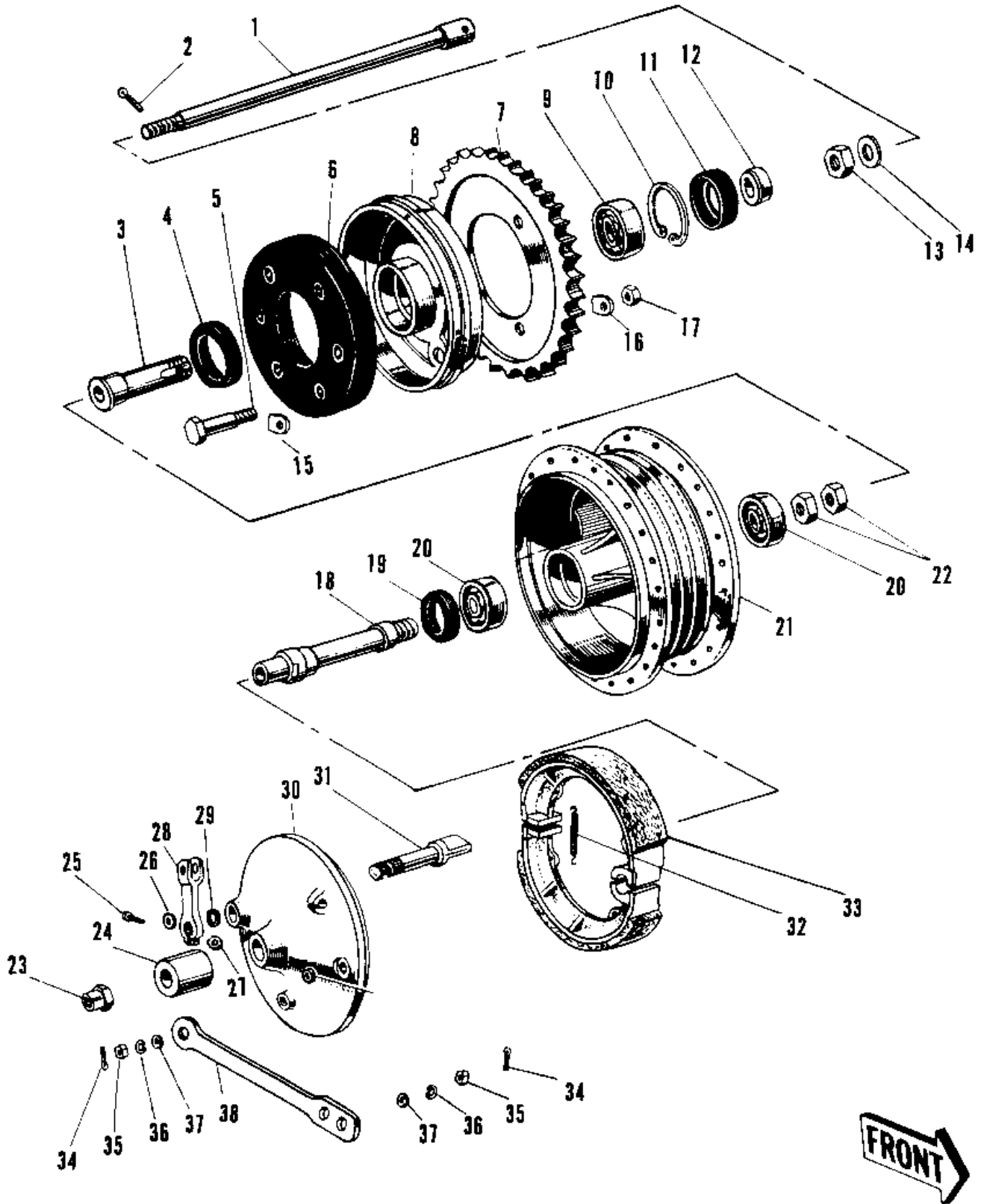


# 1969 Commander PARTS DIAGRAM

REAR HUB/BRAKE (LATE PRODUCTION)



# 1969 Commander PARTS LIST

## REAR HUB/BRAKE (LATE PRODUCTION)

| ITEM NAME                              | PART NUMBER  | QUANTITY |
|--|--------------|----------|
| AXLE REAR (Ref # 1)                    | 42031-018    | 1        |
| PIN COTTER 4.0X30 (Ref # 2)            | 550D4030     | 1        |
| COUPRING ASSY RR HUB (Ref # 3,4 8~)    | 42033-002    | 1        |
| SLEEVE L.H REAR AXLE (Ref # 3)         | 42036-004    | 1        |
| OIL SEAL COUPLING (Ref # 4)            | 92053-008    | 1        |
| BOLT SHOCK DAMPER FIT (Ref # 5)        | 92003-032    | 3        |
| BOLT-AIR CLNR. FITTNG (Ref # 5)        | 92003-067    | 3        |
| DAMPER REAR HUB SHOCK (Ref # 6)        | 42014-011    | 1        |
| REAR SPROCKET 41T (Ref # 7)            | 42041-034    | 1        |
| BEARING BALL #6205 (Ref # 9)           | 601B6205     | 1        |
| RING,SNAP,56.2M/M (Ref # 10)           | 92033-1043   | 1        |
| OIL SEAL WTC35527 (Ref # 11)           | 92052-006    | 1        |
| COLLAR L.H REAR AXLE (Ref # 12)        | 42037-019    | 1        |
| NUT L.H SLEEVE (Ref # 13)              | 42045-007    | 1        |
| WASHER L.H SLEEVE (Ref # 14)           | 42046-010    | 1        |
| WASHER COUPLING LOCK (Ref # 15)        | 92088-009    | 3        |
| WASHER-SPROCKET LOCK (Ref # 16)        | 92088-015    | 3        |
| NUT-HEX-FINE,12MM (Ref # 17)           | 315B1200     | 3        |
| NUT-HEX-FINE,12MM (Ref # 17)           | 315B1200     | 3        |
| REAR BRAKE DRUM COMPLETE (Ref # 18~22) | 42005-012    | 1        |
| SLEEVE R.H.REAR AXLE (Ref # 18)        | 42011-001    | 1        |
| OIL SEAL RR AXLE R.H (Ref # 19)        | 652A355508   | 1        |
| BEARING CONE ROLLER (Ref # 20)         | 92116-001    | 2        |
| NUT BEARING ADJUST (Ref # 22)          | 42045-008    | 2        |
| NUT CASTLE 16M/M (Ref # 23)            | 42045-014    | 1        |
| COLLAR REAR HUB R.H (Ref # 24)         | 42032-007    | 1        |
| PANEL-ASY,RR BRK,BLK (Ref # 25~33)     | 42006-010-21 | 1        |
| BOLT-UPSET,6X40 (Ref # 25)             | 112G0640     | 1        |
| WASHER PLAIN 6MM (Ref # 26)            | 410B0600     | 1        |

# 1969 Commander PARTS LIST

## REAR HUB/BRAKE (LATE PRODUCTION)

| ITEM NAME                        | PART NUMBER | QUANTITY |
|----------------------------------|-------------|----------|
| NUT 6MM (Ref # 27)               | 311B0600    | 1        |
| LEVER REAR BRAKE CAM (Ref # 28)  | 42029-008   | 1        |
| DUST SHIELD BRAKE CAM (Ref # 29) | 41051-001   | 1        |
| CAM SHAFT,REAR BRAKE (Ref # 31)  | 42026-017   | 1        |
| SPRING BRAKE SHOE (Ref # 32)     | 42020-003   | 2        |
| SHOE,BRAKE (Ref # 33)            | 42019-007   | 2        |
| PIN COTTER 2.0X20 (Ref # 34)     | 550D2020    | 2        |
| NUT,10MM (Ref # 35)              | 314B1000    | 2        |
| WASHER SPRING 10MM (Ref # 36)    | 461F1000    | 2        |
| WASHER PLAIN 10MM (Ref # 37)     | 411B1000    | 2        |
| TORQUE LINK REAR BRK (Ref # 38)  | 43007-013   | 1        |