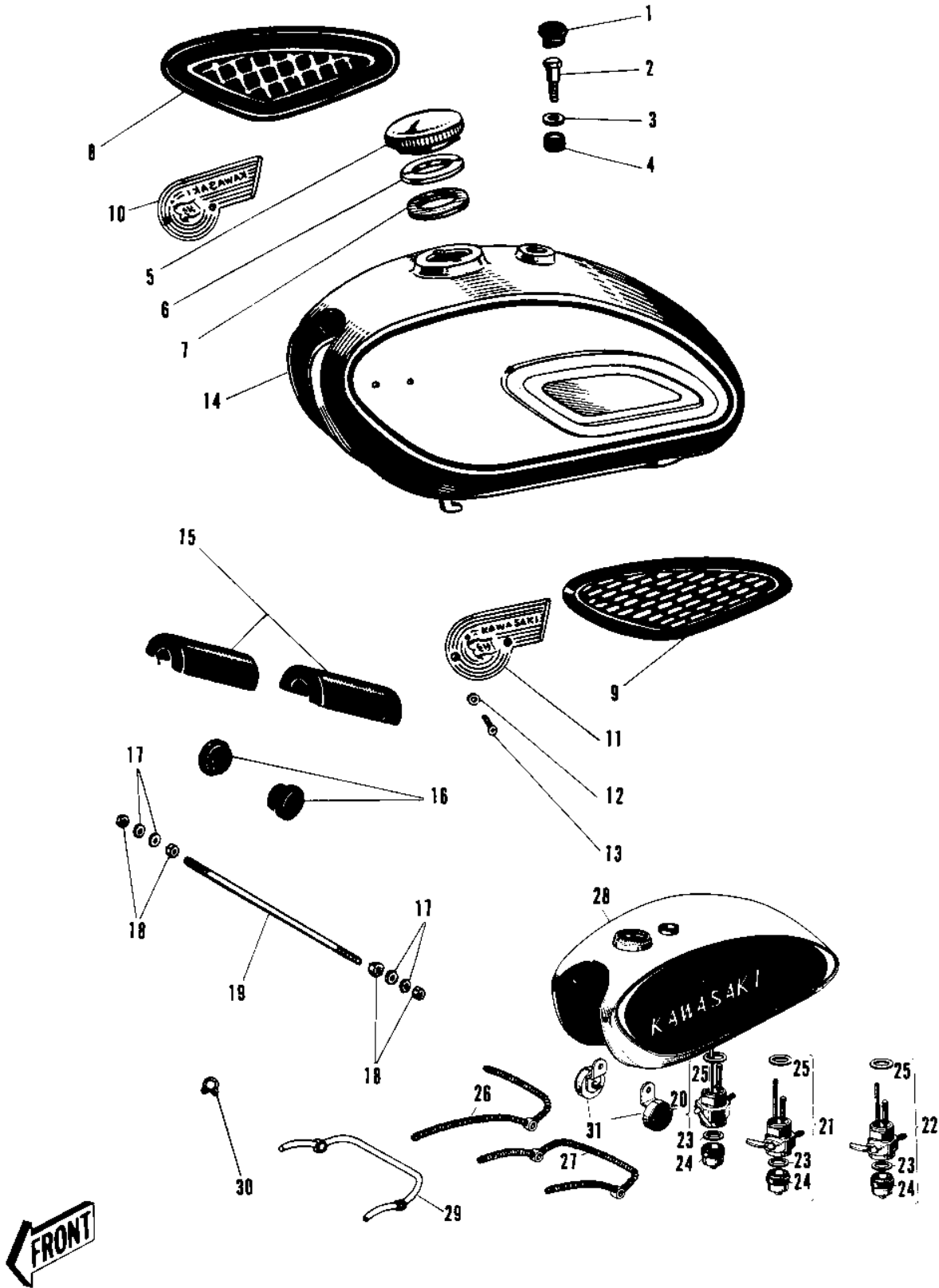


1968 Commander PARTS DIAGRAM

FUEL TANK



1968 Commander PARTS LIST

FUEL TANK

ITEM NAME	PART NUMBER	QUANTITY
CAP FUEL TNK FIT HOLE (Ref # 1)	51066-001	1
BOLT FUEL TANK FIT (Ref # 2)	92001-025	1
WASHER PLAIN 12MM (Ref # 3)	410B1200	1
DAMPER RUBB TANK BOLT (Ref # 4)	92075-033	1
CAP FUEL TANK (Ref # 5,6)	51049-008	1
GASKET-FUEL TANK CAP (Ref # 7)	51059-007	1
GRIP KNEE R.H (Ref # 8)	51062-008	1
GRIP KNEE L.H (Ref # 9)	51061-009	1
EMBLEM FUEL TANK R.H (Ref # 10)	56014-010	1
EMBLEM FUEL TANK L.H (Ref # 11)	56013-009	1
SPACER FL TANK EMBLEM (Ref # 12)	56025-002	4
SCREW PAN HEAD 4X8 (Ref # 13)	220E0408	4
SCREW PAN HEAD 4X8 (Ref # 13)	220E0408	4
TANK FUEL C.RED (Ref # 14)	51001-024-24	(1
TANK FUEL BLACK (Ref # 14)	51001-021-10	(1
TANK FUEL C.BLUE (Ref # 14)	51001-024-27	(1
UNAVAILABLE IN PRICE BOOK (Ref # 14)	51001-024-10	1
TANK FUEL C.RED (Ref # 14)	51001-024-24	1
TANK FUEL C.BLUE (Ref # 14)	51001-024-27	1
MAT FUEL TANK (Ref # 15)	51067-002	2
DAMPER RUBB FUEL TANK (Ref # 16)	92075-032	2
WASHER PLAIN 6MM (Ref # 17)	411B0600	4
NUT 6MM (Ref # 18)	311B0600	4
BOLT SHOCK DAMPER (Ref # 19)	92091-012	1
FUEL COCK ASSY (Ref # 20)	51023-008	2
GASKET FUEL COCK CUP (Ref # 23)	51037-007	2
CUP FUEL COCK (Ref # 24)	51036-003	2
GASKET FUEL COCK JONT (Ref # 25)	51032-001	2
PIPE FUEL (Ref # 27)	51044-019	1