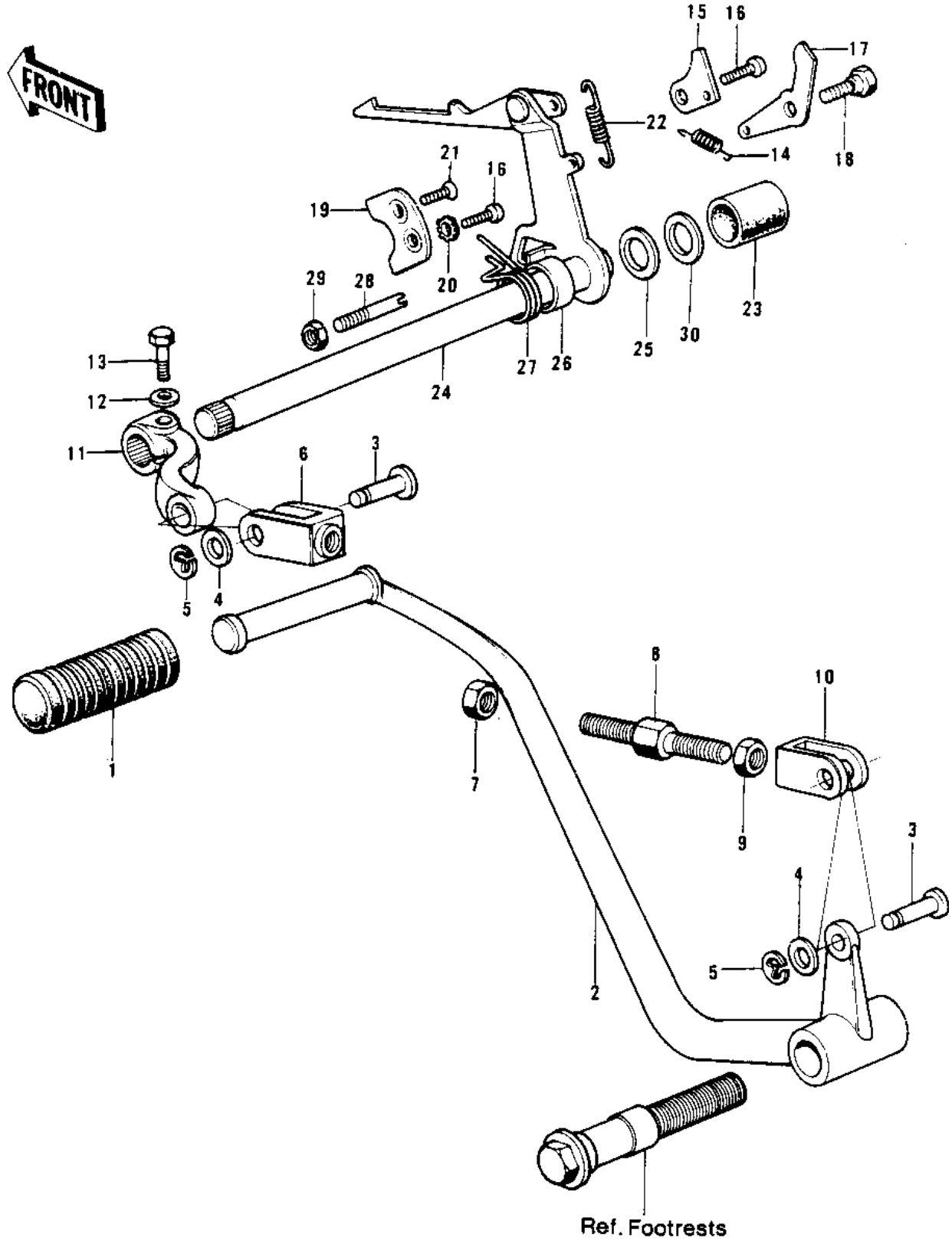


1973 Mach IV PARTS DIAGRAM

GEAR CHANGE MECHANISM



1973 Mach IV PARTS LIST

GEAR CHANGE MECHANISM

| ITEM NAME | PART NUMBER | QUANTITY |
|----------------------------------|-------------|----------|
| RUBBER CHANGE PEDAL (Ref # 1) | 13157-004 | |
| PEDAL GEAR CHANGE (Ref # 2) | 13156-039 | |
| PIN (Ref # 3) | 92043-069 | |
| WASHER PLAIN 8MM (Ref # 4) | 410B0800 | |
| WASHER,PLAIN (Ref # 4) | 92022-1028 | |
| CIRCLIP 5MM (Ref # 5) | 482K5000 | |
| CONNECTOR,B (Ref # 6) | 13159-008 | |
| NUT,8MM (Ref # 7) | 92017-010 | |
| BOLT-HEX HEAD,8MM (Ref # 8) | 92003-072 | |
| NUT,8MM (Ref # 9) | 318N0800 | |
| CONNECTOR,A (Ref # 10) | 13159-007 | |
| LEVER-GEAR CHANGE (Ref # 11) | 13158-011 | |
| WASHER SPRING 8MM (Ref # 12) | 461F0800 | |
| BOLT,8X20 (Ref # 13) | 115G0820 | |
| BOLT-SMALL-UPSET,8X22 (Ref # 13) | 115B0822 | |
| SPRING,CHNG DRUM LEVR (Ref # 14) | 92081-1045 | |
| PLATE CHANGE DRUM LEV (Ref # 15) | 13170-004 | |
| SCREW PAN HEAD 6X16 (Ref # 16) | 220B0616 | |
| LEVER GEAR CHNG DRUM (Ref # 17) | 13168-012 | |
| BOLT,CHANGE DRUM LEVE (Ref # 18) | 92150-1450 | |
| PLATE CHNG DRUM PSTON (Ref # 19) | 13169-005 | |
| WASHER LOCK 6MM (Ref # 20) | 464H0600 | |
| SCREW CNTSNK HD 6X16 (Ref # 21) | 212B0616 | |
| SPRING,CHANGE LEVER (Ref # 22) | 92144-1720 | |
| RUBBER CAP (Ref # 23) | 13080-004 | |
| LEVER ASSY GEAR CHNG (Ref # 24) | 13161-035 | |
| LEVER ASSY GEAR CHNG (Ref # 24) | 13161-035 | |
| SPACER (Ref # 25) | 92026-068 | |
| COLLAR (Ref # 26) | 92027-121 | |

1973 Mach IV PARTS LIST

GEAR CHANGE MECHANISM

| ITEM NAME | PART NUMBER | QUANTITY |
|---------------------------------|-------------|----------|
| SPRING,TENTION (Ref # 27) | 92081-1129 | |
| BOLT,RETURN SPRING (Ref # 28) | 92001-1401 | |
| NUT 8MM (Ref # 29) | 312B0800 | |
| SHIM-KICK SHAFT,0.5T (Ref # 30) | 92022-150 | |