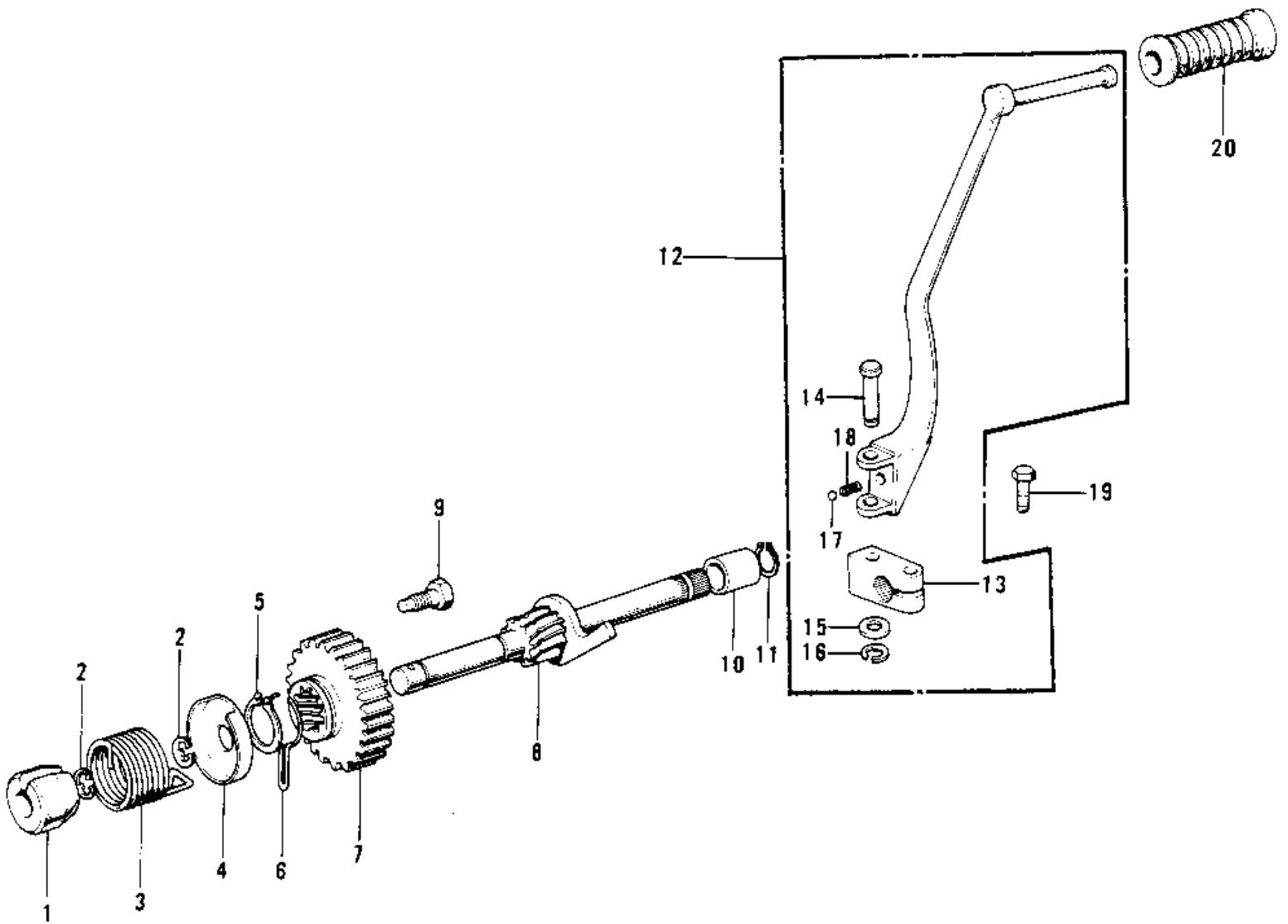


# 1975 Mach IV PARTS DIAGRAM

## KICKSTARTER MECHANISM



# 1975 Mach IV PARTS LIST

## KICKSTARTER MECHANISM

ITEM NAME	PART NUMBER	QUANTITY
GUIDE KICK SPRING (Ref # 1)	13070-001	
CIRCLIP 10MM (Ref # 2)	482J0100	
SPRING KICKSTARTER (Ref # 3)	92081-021	
PLATE KICK GEAR HLDER (Ref # 4)	13071-003	
CIRCLIP 26MM (Ref # 5)	480J2600	
HOLDER KICK GEAR (Ref # 6)	13077-002	
GEAR-KICKSTARTER (Ref # 7)	13068-023	
SHAFT-KICKSTARTER (Ref # 8)	13066-028	
SHAFT,KICKSTARTER (Ref # 8)	13245-007	
STOPPER-KICKSTARTER (Ref # 9)	13072-013	
BUSHING (Ref # 10)	92028-111	
CIRCLIP (Ref # 11)	92033-015	
PEDAL,KICKSTARTER (Ref # 12)	13064-006	
BOSS-KICK PEDAL (Ref # 13)	13061-010	
PIN-KICK PEDAL (Ref # 14)	92043-081	
WASHER PLAIN 8MM (Ref # 15)	410B0800	
CIRCLIP 5MM (Ref # 16)	482K5000	
BALL STEEL 1/4' (Ref # 17)	600A0800	
SPRING KICK PEDAL (Ref # 18)	92081-020	
BOLT-KICK PEDAL (Ref # 19)	92001-110	
RUBBER KICK PEDAL (Ref # 20)	13063-004	