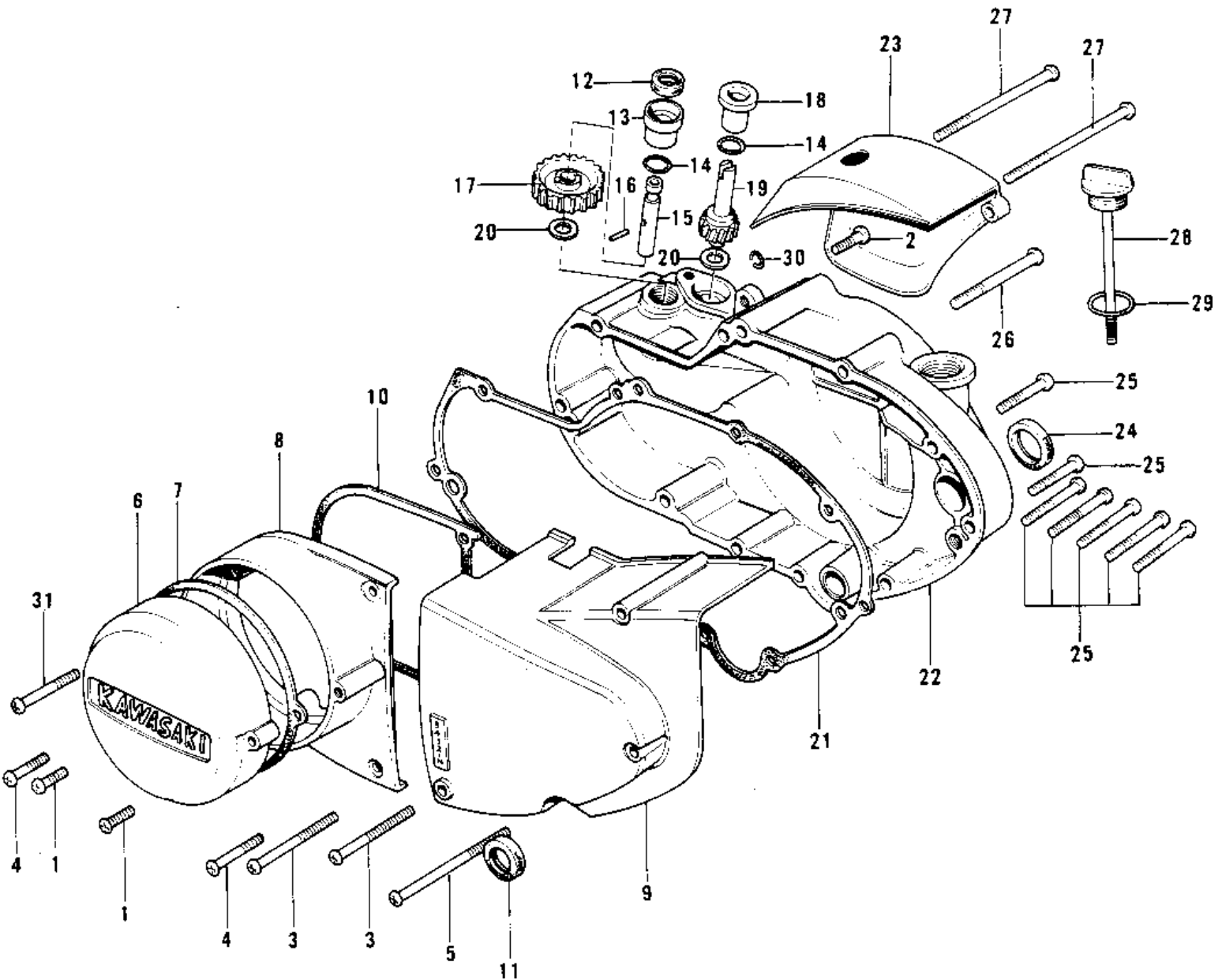


1973 Mach IV PARTS DIAGRAM

ENGINE COVERS



1973 Mach IV PARTS LIST

ENGINE COVERS

ITEM NAME	PART NUMBER	QUANTITY
SCREW PAN HEAD 6X20 (Ref # 1)	220B0620	
SCREW PAN HEAD 6X25 (Ref # 2)	220B0625	
SCREW PAN HEAD 6X55 (Ref # 3)	220B0655	
SCREW PAN HEAD 6X35 (Ref # 4)	220B0635	
SCREW PAN HEAD 6X85 (Ref # 5)	220B0685	
CAP,BREAKER POINT,BUF (Ref # 6)	14027-016-80	
GASKET-POINT CAP (Ref # 7)	14050-005	
GASKET,POINT CAP (Ref # 7)	14050-008	
COVER,L.H ENGINE,BUFF (Ref # 8)	14031-049-80	
COVER,CHN CASE,BUFF (Ref # 9)	14026-024-80	
COVER,CHN CASE,BUFF (Ref # 9)	14026-024-80	
GASKET,L.H ENG COVER (Ref # 10)	14045-022	
OIL SEAL SB12205 (Ref # 11)	92049-004	
OIL SEAL (Ref # 12)	92054-004	
BUSH (Ref # 13)	92028-075	
"O" RING (Ref # 14)	92055-025	
SHAFT TACHOMETER GEAR (Ref # 15)	13226-004	
PIN,DOWEL (Ref # 16)	92042-035	
GEAR TACHOMETER (Ref # 17)	13224-005	
BUSH (Ref # 18)	92028-074	
GEAR OIL PUMP (Ref # 19)	16085-011	
WASHER THRUST (Ref # 20)	92026-026	
GASKET-R.H ENGINE COV (Ref # 21)	14046-021	
COVER,R.H ENGINE,BUFF (Ref # 22)	14032-098-80	
COVER,R.H ENGINE,BUFF (Ref # 22)	14032-098-80	
COVER OIL PUMP (Ref # 23)	14030-033-80	
OIL SEAL SB20285 (Ref # 24)	92049-012	
SCREW PAN HEAD 6X30 (Ref # 25)	220B0630	
SCREW PAN HEAD 6X60 (Ref # 26)	220B0660	

1973 Mach IV PARTS LIST

ENGINE COVERS

ITEM NAME	PART NUMBER	QUANTITY
SCREW PAN HEAD 6X100 (Ref # 27)	220B06100	
PLUG OIL FILLER (Ref # 28)	16115-002	
"0" RING,20MM (Ref # 29)	670B2020	
CIRCLIP SELD BEM FIT (Ref # 30)	482K4000	
SCREW PAN HEAD 6X45 (Ref # 31)	220B0645	