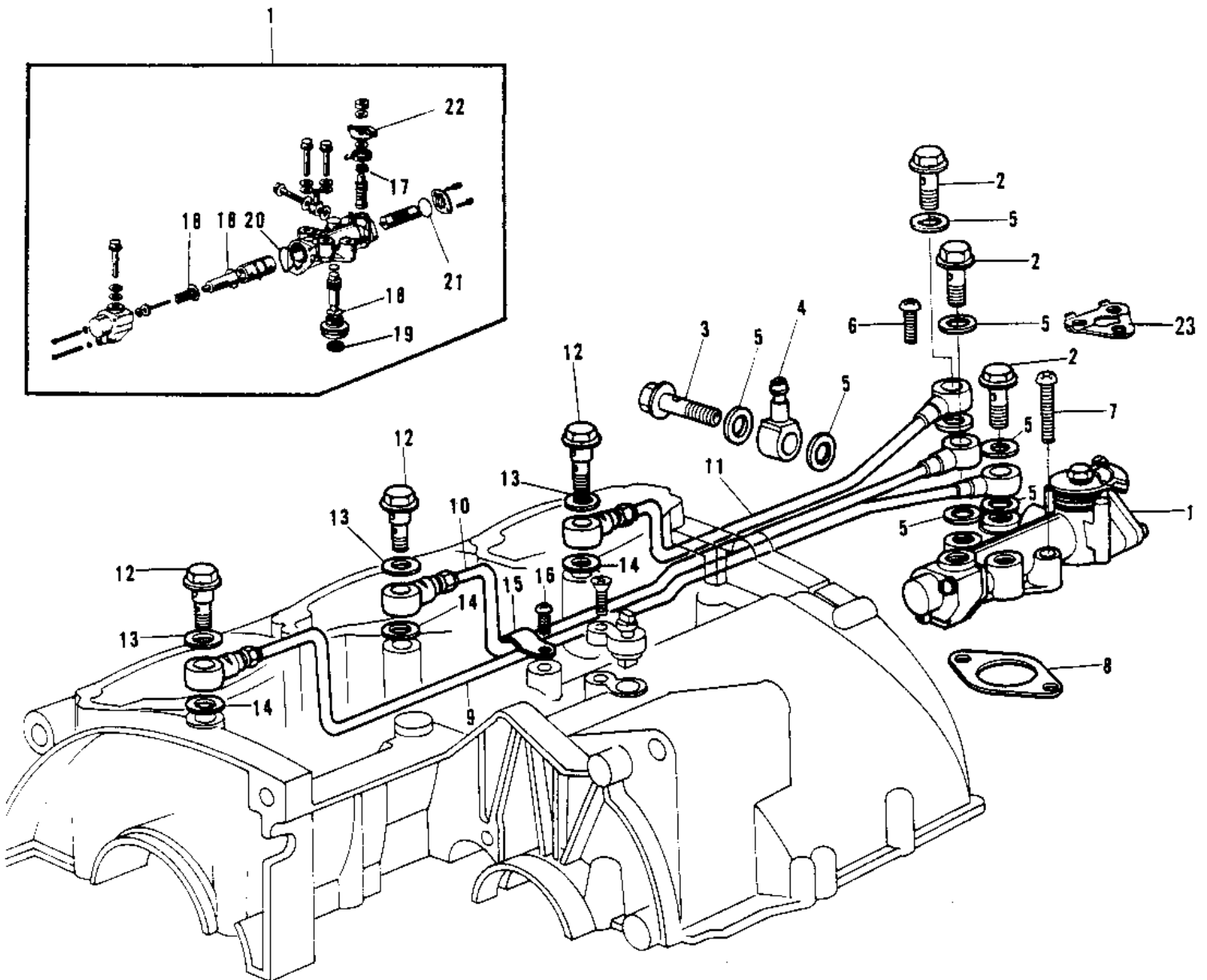


1972 Mach IV PARTS DIAGRAM

OIL PUMP (H2/A)



1972 Mach IV PARTS LIST

OIL PUMP (H2/A)

| ITEM NAME | PART NUMBER | QUANTITY |
|----------------------------------|--------------|----------|
| OIL PUMP ASSY (Ref # 1) | 16082-042 | 1 |
| BOLT BANJO (Ref # 2) | 92060-008 | 3 |
| BOLT BANJO (Ref # 3) | 92060-009 | 1 |
| CONNECTOR BANJO (Ref # 4) | 92061-015 | 1 |
| WASHER OIL PUMP BANJO (Ref # 5) | 92022-077 | 8 |
| SCREW-PAN-CROS (Ref # 6) | 220B0514 | 1 |
| SCREW PAN CROSS,5X28 (Ref # 7) | 220B0528 | 1 |
| GASKET,OIL PUMP (Ref # 8) | 11060-1160 | 1 |
| PIPE-OIL,L.H (Ref # 9) | 16134-016 | 1 |
| PIPE-OIL,CENTER (Ref # 10) | 16134-017 | 1 |
| PIPE-OIL,R.H (Ref # 11) | 16134-018 | 1 |
| BOLT-BANJO,CR (Ref # 12) | 92060-010-79 | 3 |
| GASKET CHECK VALVE (Ref # 13) | 92065-058 | 3 |
| GASKET CHECK VALVE (Ref # 14) | 92065-023 | 3 |
| HOLDER OIL PIPE (Ref # 15) | 16068-004 | 1 |
| SCREW PAN HEAD 6X10 (Ref # 16) | 220B0610 | 1 |
| SEAL-OIL,CAMSHAFT,"X" (Ref # 17) | 92049-1294 | 1 |
| "O" RING,OIL PUMP SHT (Ref # 18) | 16090-002 | 3 |
| OIL SEAL OIL PUMP SHT (Ref # 19) | 16091-001 | 1 |
| "O" RING,UPPER CAP (Ref # 20) | 16088-002 | 1 |
| "O" RING,LOWER CAP (Ref # 21) | 16090-003 | 1 |
| LEVER-OIL PUMP CABLE (Ref # 22) | 16096-006 | 1 |
| WASHER,OIL PUMP LOCK (Ref # 23) | 92024-058 | 1 |