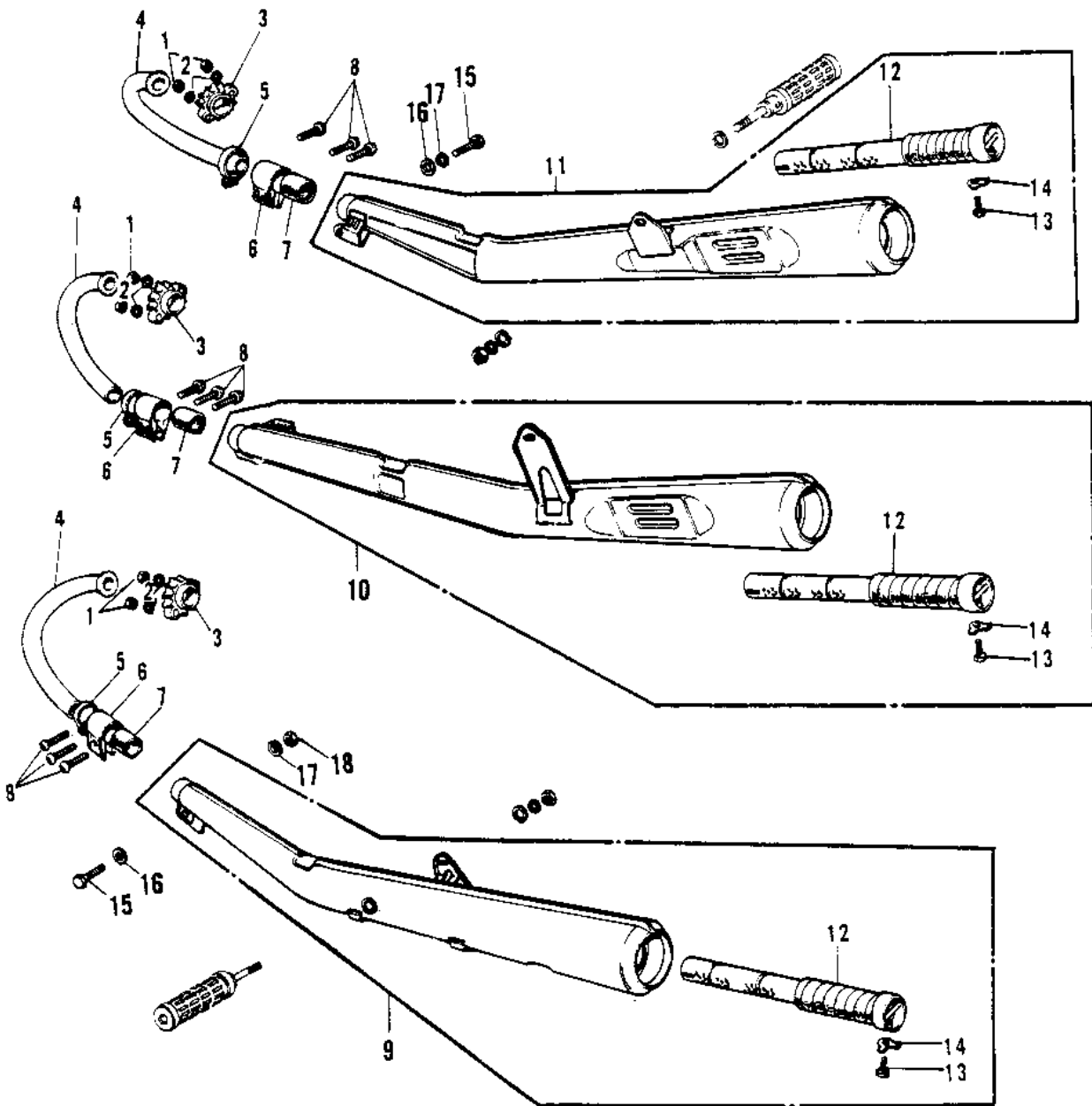


# 1972 Mach IV PARTS DIAGRAM

MUFFLERS (H2/A)



# 1972 Mach IV PARTS LIST

MUFFLERS (H2/A)

ITEM NAME	PART NUMBER	QUANTITY
-----------	-------------	----------