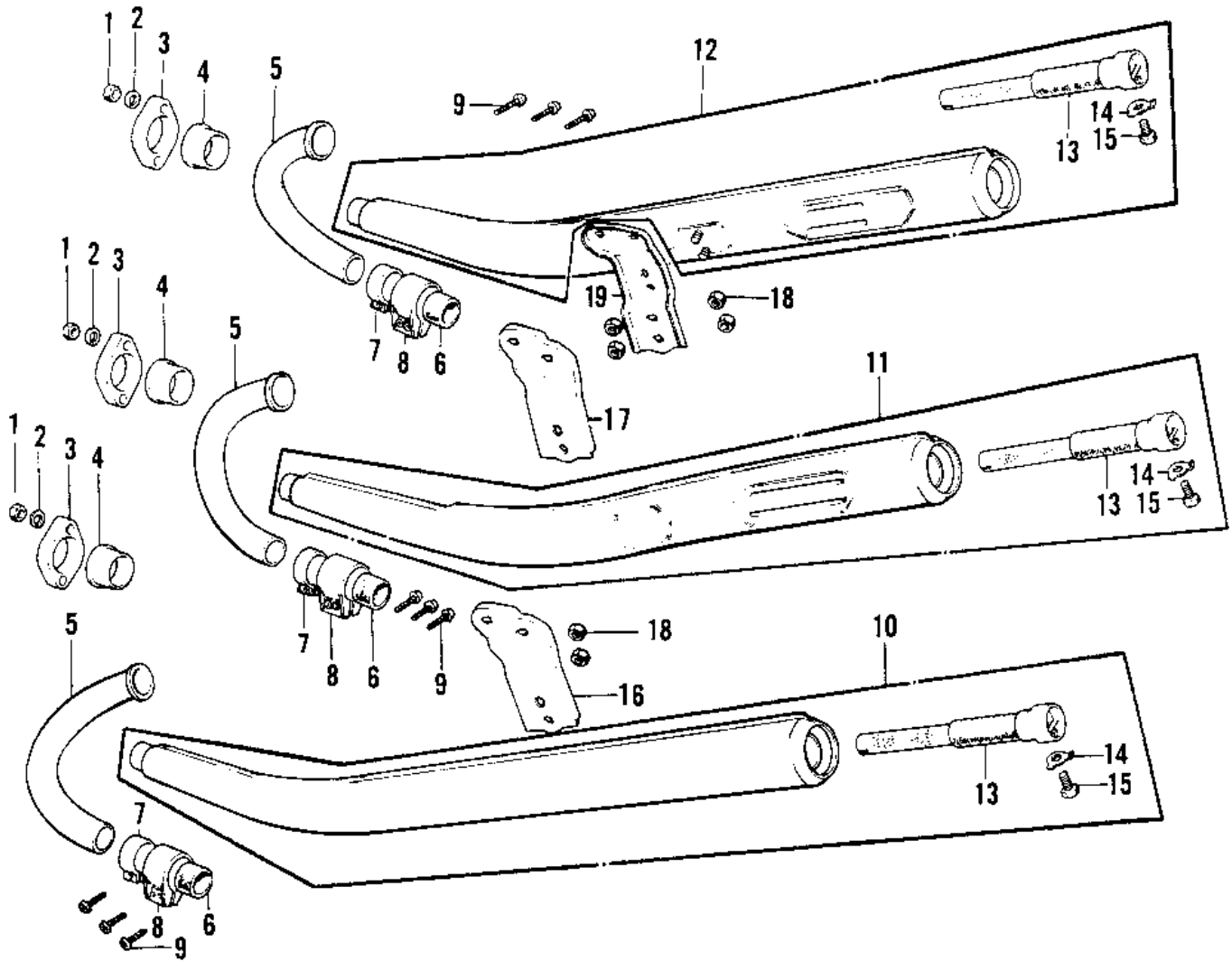


1972 Mach IV PARTS DIAGRAM

MUFFLERS (H2-B/C)



1972 Mach IV PARTS LIST

MUFFLERS (H2-B/C)

ITEM NAME	PART NUMBER	QUANTITY
NUT,8MM (Ref # 1)	311B0800	12
WASHER SPRING 8MM (Ref # 2)	461F0800	12
HOLDER,EXHAUST (Ref # 3)	18069-049	3
INSERT,EXH PIPE HLDR (Ref # 4)	18070-011	3
PIPE,EXHAUST (Ref # 5)	18049-102	3
CONNECTOR MUFFLER (Ref # 6)	18043-010	3
HOLDER MUFFLER CONECT (Ref # 7)	18044-007	3
HOLDER MUFFLER CONECT (Ref # 8)	18044-006	3
SCREW PAN HEAD 6X30 (Ref # 9)	220B0630	9
MUFFLER ASSY,L.H (Ref # 10)	18001-143	1
MUFFLER ASSY,CENTER (Ref # 11)	18001-144	1
MUFFLER ASSY,R.H (Ref # 12)	18001-145	1
BAFFLE TUBE (Ref # 13)	18033-056	3
WASHER LOCK 6MM (Ref # 14)	92024-016	3
BOLT-UPSET,6X12 (Ref # 15)	112G0612	3
BRACKET,L.H MUFFLER (Ref # 16)	18061-051	1
BRACKET,CNT MUFFLER (Ref # 17)	18061-052	1
NUT,8MM (Ref # 18)	311B0800	6
BRACKET,R.H MUFFLER (Ref # 19)	18061-053	1