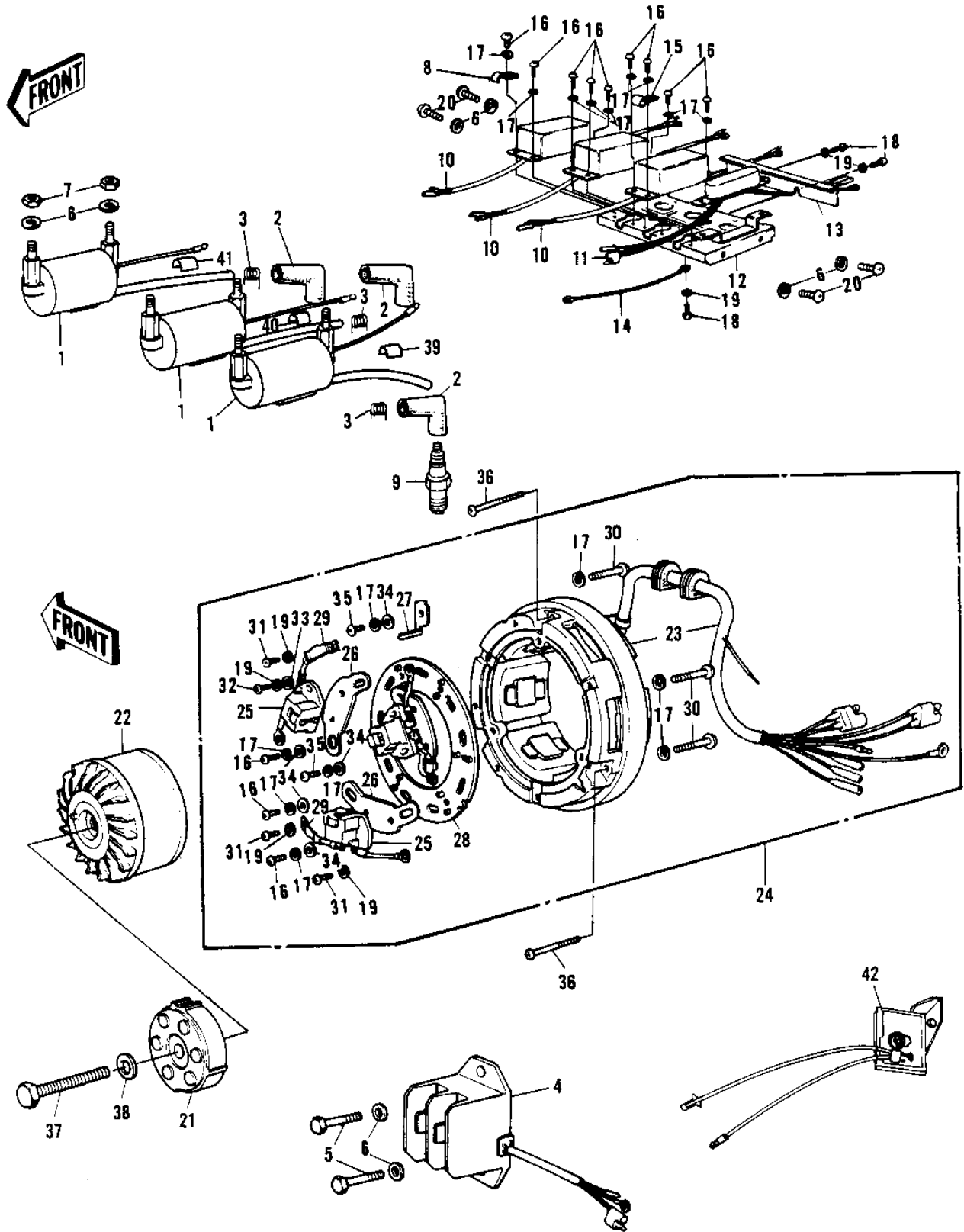


1975 Mach IV PARTS DIAGRAM

IGNITION/GENERATOR/REGULATOR



1975 Mach IV PARTS LIST

IGNITION/GENERATOR/REGULATOR

ITEM NAME	PART NUMBER	QUANTITY
COIL-IGNITION (Ref # 1)	21121-064	
CAP SPARK PLUG (Ref # 2)	21130-009	
SPRING-SPARK PLUG CAP (Ref # 3)	92101-001	
REGULATOR (Ref # 4)	21066-1036	
REGULATOR (Ref # 4)	21066-1036	
REGULATOR (Ref # 4)	21066-1036	
REGULATOR-VOLTAGE (Ref # 4)	21066-1030	
BOLT-UPSET,6X20 (Ref # 5)	112G0620	
WASHER SPRING 6MM (Ref # 6)	461F0600	
NUT 6MM (Ref # 7)	311B0600	
CLAMP-BREATHER PIPE (Ref # 8)	92037-070	
SPARK PLUG B9HS1 (Ref # 9)	B9HS1	
IGNITION UNIT A (Ref # 10)	21119-012	
IGNITION UNIT B (Ref # 11)	21120-005	
PLATE-IGNITION UNIT (Ref # 12)	21155-003	
PLATE (Ref # 13)	21155-004	
WIRE-LEAD (Ref # 14)	21045-009	
CLAMP-WIRE (Ref # 15)	21098-009	
SCREW PAN HEAD 5X10 (Ref # 16)	220B0510	
WASHER SPRING 5MM (Ref # 17)	461F0500	
SCREW PAN HEAD 4X6 (Ref # 18)	220B0406	
WASHER SPRING 4MM (Ref # 19)	461F0400	
BOLT,HEX HEAD,6X14 (Ref # 20)	92001-121	
ROTOR-S.G (Ref # 21)	21007-021	
ROTOR (Ref # 22)	21007-022	
YOKE ASSY (Ref # 23)	21076-011	
YOKE ASSY (Ref # 24)	21076-011	
PICK UP (Ref # 25)	21152-003	
PLATE-PICK UP (Ref # 26)	21156-002	

1975 Mach IV PARTS LIST

IGNITION/GENERATOR/REGULATOR

ITEM NAME	PART NUMBER	QUANTITY
POINTER-IGN TIMING (Ref # 27)	21020-002	
PLATE-YOKE (Ref # 28)	21155-002	
CLAMP-LEAD WIRE (Ref # 29)	21098-008	
SCREW-PAN-CROS (Ref # 30)	220B0535	
SCREW PAN HEAD 4X8 (Ref # 31)	220B0408	
SCREW PAN HEAD 4X10 (Ref # 32)	220B0410	
WASHER PLAIN 4MM (Ref # 33)	410B0400	
WASHER PLAIN 5MM (Ref # 34)	411B0500	
SCREW PAN HEAD 5X12 (Ref # 35)	220B0512	
SCREW-PAN-CROS (Ref # 36)	220B0540	
BOLT FLANGED,8X70 (Ref # 37)	92001-1583	
BOLT FLANGED,8X70 (Ref # 37)	92001-1583	
WASHER SPRING 8MM (Ref # 38)	461F0800	
LABEL,LEFT (Ref # 39)	21168-001	
LABEL,CENTER (Ref # 40)	21168-002	
LABEL,RIGHT (Ref # 41)	21168-003	
RECTIFIER (Ref # 42)	21061-014	