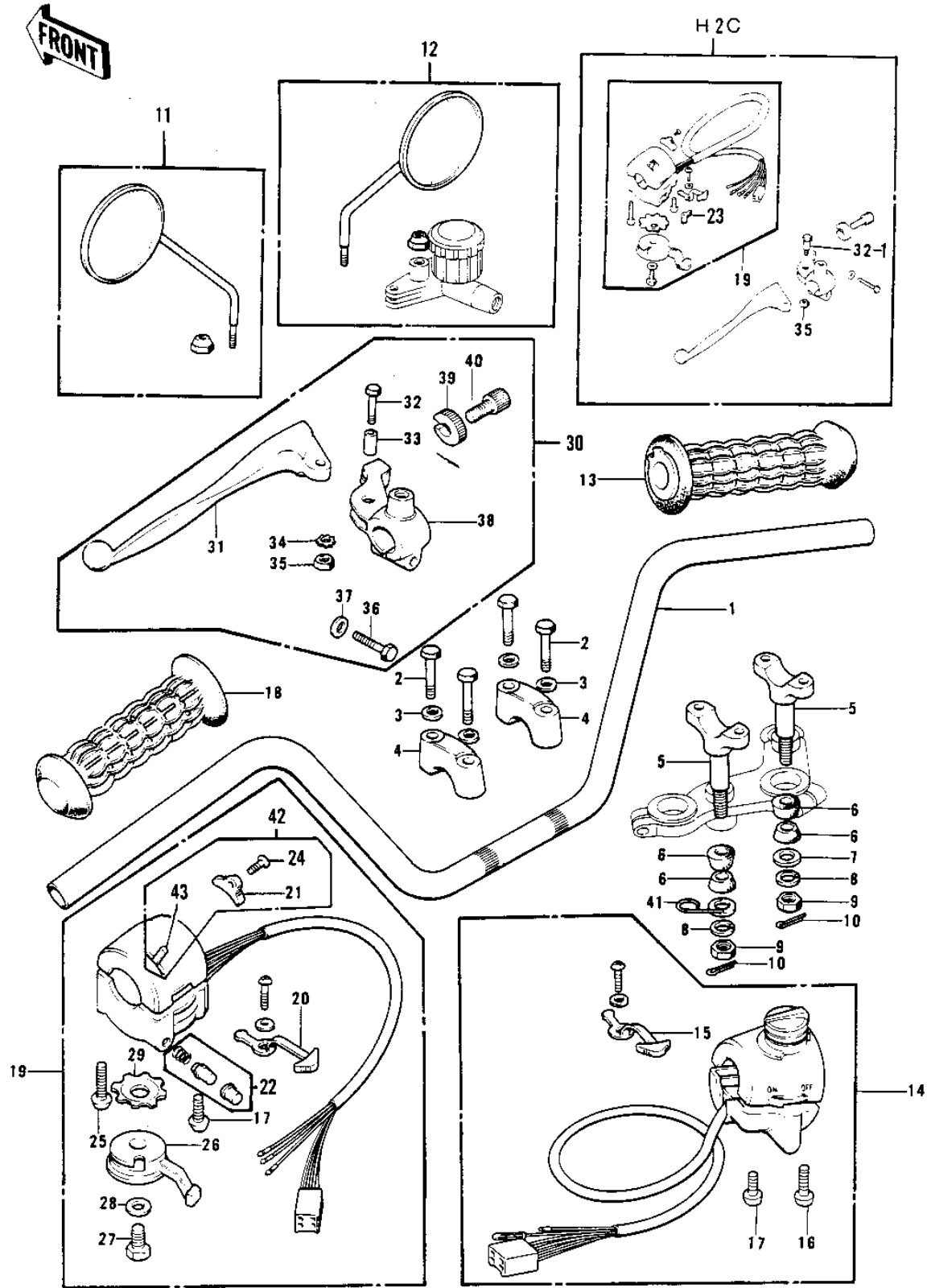


1972 Mach IV PARTS DIAGRAM

HANDLEBAR (H2-B/C)



1972 Mach IV PARTS LIST

HANDLEBAR (H2-B/C)

ITEM NAME	PART NUMBER	QUANTITY
HANDLEBAR (Ref # 1)	46003-032	1
BOLT 8X38 (Ref # 2)	92001-1405	4
BOLT 8X38 (Ref # 2)	92001-1405	4
WASHER SPRING 8MM (Ref # 3)	461F0800	4
HOLDER-HANDLEBAR (Ref # 4)	46012-008	2
HOLDER-HANDLEBAR LOW (Ref # 5)	46012-010	2
DAMPER RUBBER,HANDLE (Ref # 6)	92075-275	4
WASHER-HANDLEBAR FIT (Ref # 7)	92022-196	1
WASHER SPRING 10MM (Ref # 8)	461F1000	2
NUT,10MM (Ref # 9)	314B1000	2
PIN,SNAP (Ref # 10)	554A0800	2
PIN,SNAP (Ref # 10)	554A0800	AL
REAR VIEW MIRROR,L.H (Ref # 11)	56003-009	1
REAR VIEW MIRROR,R.H (Ref # 12)	56002-020	1
GRIP ASSY-THROTTLE (Ref # 13)	46019-023	1
CASE ASSY,R.H (Ref # 14)	46132-003	1
CASE ASSY,R.H (Ref # 14)	46132-019	1
KNOB,LIGHING SWITCH (Ref # 15)	46043-006	1
SCREW-PAN-CROS (Ref # 16)	220B0535	1
SCREW PAN HEAD 5X22 (Ref # 17)	220B0522	2
RUBBER-L.H GRIP (Ref # 18)	46075-017	1
CASE ASSY,L.H (Ref # 19)	46091-014	1
CASE ASSY,L.H (Ref # 19)	46091-047	1
KNOB,LIGHTING SW L.H (Ref # 20)	46043-005	1
KNOB,LIGHTING SW L.H (Ref # 21)	46044-013	1
SWITCH ASSY,HORN BUTN (Ref # 22)	27010-1009	1
BUTTON,HORN PUSH (Ref # 23)	27010-1001	1
SCREW PAN HEAD 3X5 (Ref # 24)	220B0305A	1
SCREW PAN HEAD 5X30 (Ref # 25)	220B0530	1

1972 Mach IV PARTS LIST

HANDLEBAR (H2-B/C)

ITEM NAME	PART NUMBER	QUANTITY
LEVER,STARTER (Ref # 26)	46096-009	1
BOLT HEX HEAD 6X8 (Ref # 27)	110B0608	1
WASHER PLAIN 6MM (Ref # 28)	410B0600	1
WASHER LOCK (Ref # 29)	92095-012	1
LEVER ASSY,CLUTCH (Ref # 30)	46076-036	1
LEVER-CLUTCH (Ref # 31)	46092-015	1
BOLT HEX HEAD 5X20 (Ref # 32)	92007-020	1
BOLT,HEX HEAD,5X22 (Ref # 32-1)	92007-046	1
COLLAR LEVER (Ref # 33)	46059-011	1
WASHER LOCK 5MM (Ref # 34)	464H0500	1
NUT 5MM (Ref # 35)	312B0500	1
NUT-LOCK,5MM (Ref # 35)	92019-014	1
BOLT HEX HEAD 6X25 (Ref # 36)	110N0625	1
WASHER PLAIN 6MM (Ref # 37)	410B0600	1
HOLDER-CLUTCH LEV,BLK (Ref # 38)	46094-011-21	1
NUT-LOCK (Ref # 39)	46056-005	1
SCREW ADJUST (Ref # 40)	46055-006	1
CLAMP,CABLE (Ref # 41)	92037-148	1
L.H GRIP SWITCH KIT (Ref # 42)	99990-530	1
SWITCH ASSY,L.H (Ref # 43)	46089-016	1
SWITCH,L.H (Ref # 43)	46089-014	1