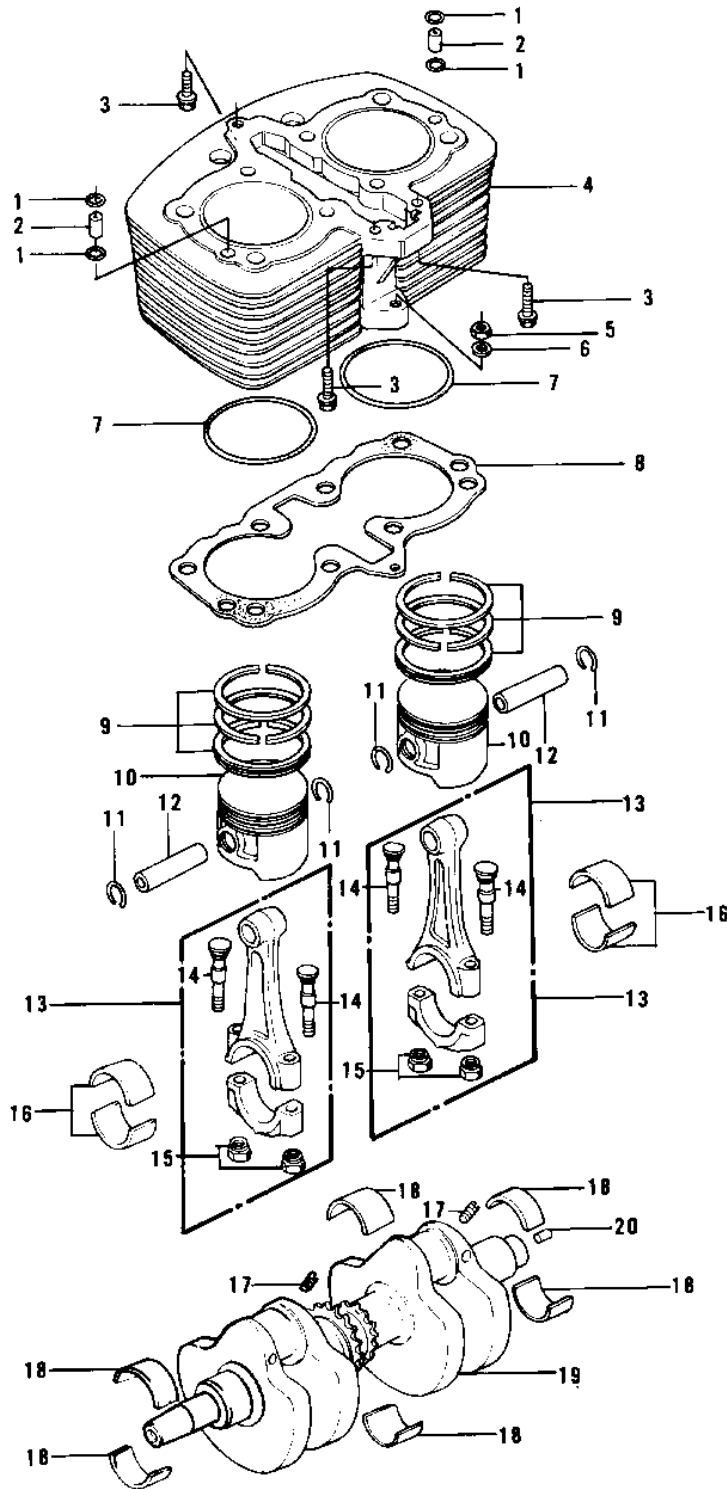


# 1979 KZ750-B4 PARTS DIAGRAM

CYLINDER/PISTONS/CRANKSHAFT



\*C  
102

# 1979 KZ750-B4 PARTS LIST

## CYLINDER/PISTONS/CRANKSHAFT

ITEM NAME	PART NUMBER	QUANTITY
"O" RING (Ref # 1)	92055-094	
PIN,DOWEL (Ref # 2)	92042-039	
BOLT, HEX HEAD, 6X34 (Ref # 3)	92003-159	
CYLINDER,BARREL (Ref # 4)	11005-150-2H	
NUT 6MM (Ref # 5)	311B0600	
WASHER PLAIN 6MM (Ref # 6)	410B0600	
"O" RING (Ref # 7)	92055-081	
GASKET,CYLINDER BASE (Ref # 8)	11009-042	
RING SET,PISTON (Ref # 9)	13008-055	
RING SET,0.020'0.S (Ref # 9)	13025-059	
RING SET,0.040'0.S (Ref # 9)	13024-059	
PISTON,STD (Ref # 10)	13001-1086	
PISTON,0.50 O/S (Ref # 10)	13029-1039	
PISTON,1.00 O/S (Ref # 10)	13027-1038	
CIRCLIP PISTON PIN (Ref # 11)	92036-008	
PIN-PISTON (Ref # 12)	13002-031	
UNAVAILABLE IN PRICE BOOK (Ref # 13)	*13032-051-II	
UNAVAILABLE IN PRICE BOOK (Ref # 13)	*13032-051-II	
UNAVAILABLE IN PRICE BOOK (Ref # 13)	*13032-051-JJ	
UNAVAILABLE IN PRICE BOOK (Ref # 13)	*13032-051-JJ	
UNAVAILABLE IN PRICE BOOK (Ref # 13)	*13032-051-KK	
UNAVAILABLE IN PRICE BOOK (Ref # 13)	*13032-051-KK	
UNAVAILABLE IN PRICE BOOK (Ref # 13)	*13032-051-LL	
UNAVAILABLE IN PRICE BOOK (Ref # 13)	*13032-051-LL	
BOLT,CONNECTING ROD (Ref # 14)	92001-170	
NUT,FLANGED,8MM (Ref # 15)	92015-1311	
METAL,CON ROD BRG (Ref # 16)	13034-043	
METAL,CON ROD BRG (Ref # 16)	13034-045	
METAL,CON ROD BRG (Ref # 16)	13034-046	

# 1979 KZ750-B4 PARTS LIST

## CYLINDER/PISTONS/CRANKSHAFT

ITEM NAME	PART NUMBER	QUANTITY
SCREW (Ref # 17)	291H0812	
METAL,CRANK BRG (Ref # 18)	13034-044	
CRANK SHAFT ASSY (Ref # 19)	13031-1002	
CRANKSHAFT ASSY (Ref # 19)	13031-1005	
PIN,DOWEL,4X8 (Ref # 20)	551A0408	
PIN-SPRING,4X8 (Ref # 20)	555A0408	