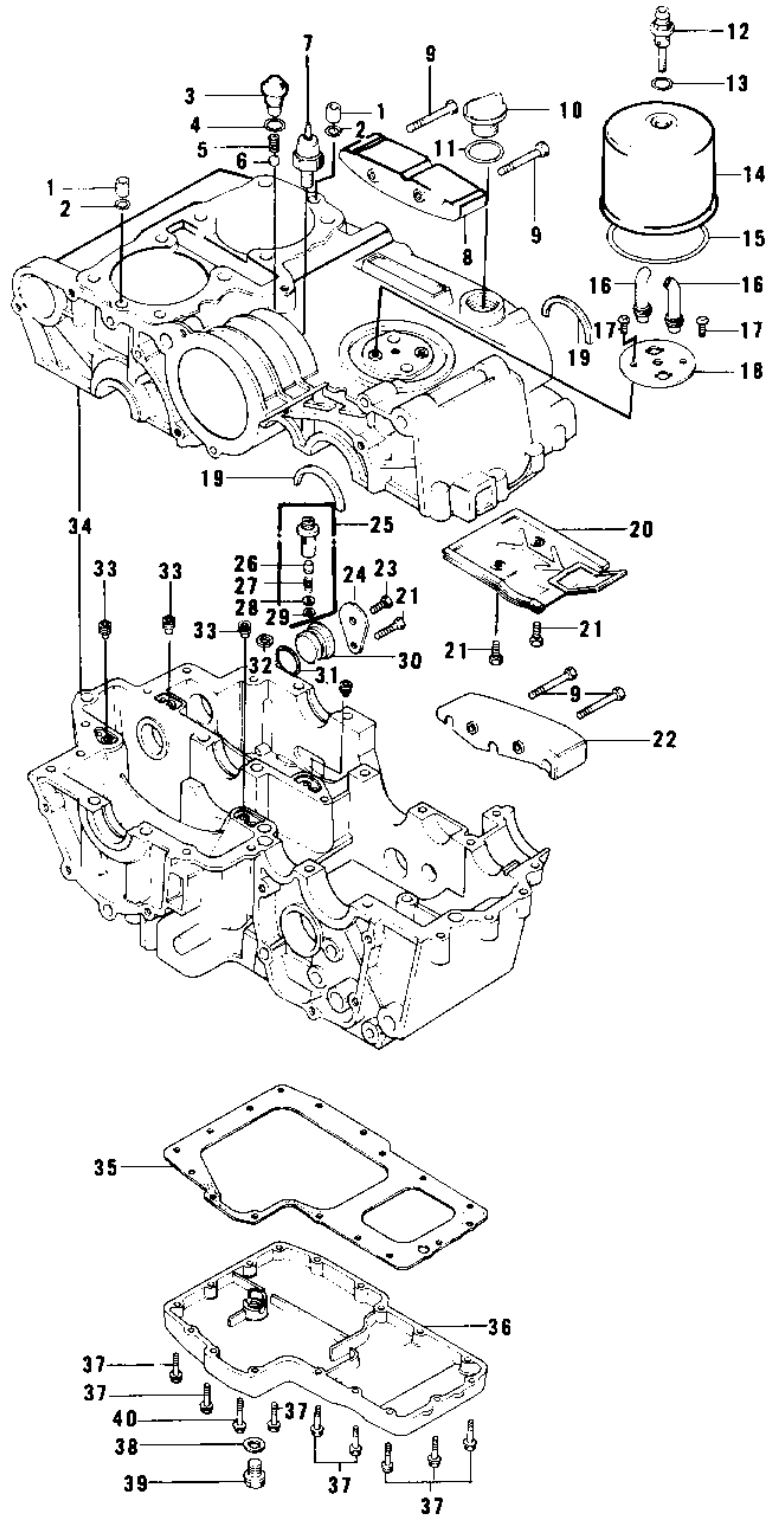


# 1978 KZ750-B3 PARTS DIAGRAM

CRANKCASE/BREATHER COVER/OIL PAN



# 1978 KZ750-B3 PARTS LIST

## CRANKCASE/BREATHER COVER/OIL PAN

ITEM NAME	PART NUMBER	QUANTITY
PIN,11X14X12.3 (Ref # 1)	92043-1266	
"O" RING (Ref # 2)	92055-093	
PLUG,FILTER COVER (Ref # 3)	92066-050	
"O" RING,18MM (Ref # 4)	670B2018	
SPRING (Ref # 5)	92081-109	
BALL STEEL 3/8' (Ref # 6)	600A1200	
SWITCH,OIL PRESSURE (Ref # 7)	27010-1157	
SWITCH,OIL PRESSURE (Ref # 7)	27010-1157	
SLIPPER,PRIMARY CHAIN (Ref # 8)	12053-020	
BOLT,FLANGED,8X35 (Ref # 9)	92001-1577	
PLUG,OIL FILLER (Ref # 10)	16115-013	
"O" RING,31MM (Ref # 11)	92055-049	
BOLT,BREATHER FITTING (Ref # 12)	92003-098	
"O" RING,16MM (Ref # 13)	670B2016	
BODY,BREATHER (Ref # 14)	14070-003	
BODY,BREATHER (Ref # 14)	14070-007	
"O" RING,91MM (Ref # 15)	92055-052	
PIPE,BREATHER PLATE (Ref # 16)	92059-118	
TUBE,BREATHER (Ref # 16)	92059-140	
SCREW PAN HEAD 6X18 (Ref # 17)	220B0618	
PLATE,BREATHER (Ref # 18)	14068-007	
RING BEARING SETTING (Ref # 19)	14013-004	
PLATE,BREATHER (Ref # 20)	14068-008	
BOLT-UPSET 6X14 (Ref # 21)	112B0614	
SLIPPER,PRIMARY CHAIN (Ref # 22)	12053-021	
BOLT HEX HEAD 6X8 (Ref # 23)	110B0608	
SPACER (Ref # 24)	92026-115	
RELEAF VALVE ASSY (Ref # 25)	16130-1001	
RELEAF VALVE ASSY (Ref # 25)	16130-1001	

## 1978 KZ750-B3 PARTS LIST

### CRANKCASE/BREATHER COVER/OIL PAN

ITEM NAME	PART NUMBER	QUANTITY
PISTON,RELEAF VALVE (Ref # 26)	16126-002	
SPRING,RELEAF VALVE (Ref # 27)	16133-003	
SPACER,RELEAF VALVE (Ref # 28)	92026-097	
CIRCLIP, 12MM (Ref # 29)	481J1200	
PLUG (Ref # 30)	92066-049	
"O" RING (Ref # 31)	670B3030	
O RING,0.D=18MM (Ref # 32)	92055-048	
SCREW,SLOTTED (Ref # 33)	92013-007	
SET-CRANKCASE (Ref # 34)	14001-5092	
GASKET,OIL PAN (Ref # 35)	16112-004	
PAN,OIL (Ref # 36)	16110-004	
BOLT,FLANGED,6X25 (Ref # 37)	130G0625	
GASKET,DRIN PLUG (Ref # 38)	92065-097	
PLUG,OIL DRAIN,12X15 (Ref # 39)	92066-1174	
BOLT, HEX HEAD, 6X34 (Ref # 40)	92003-159	