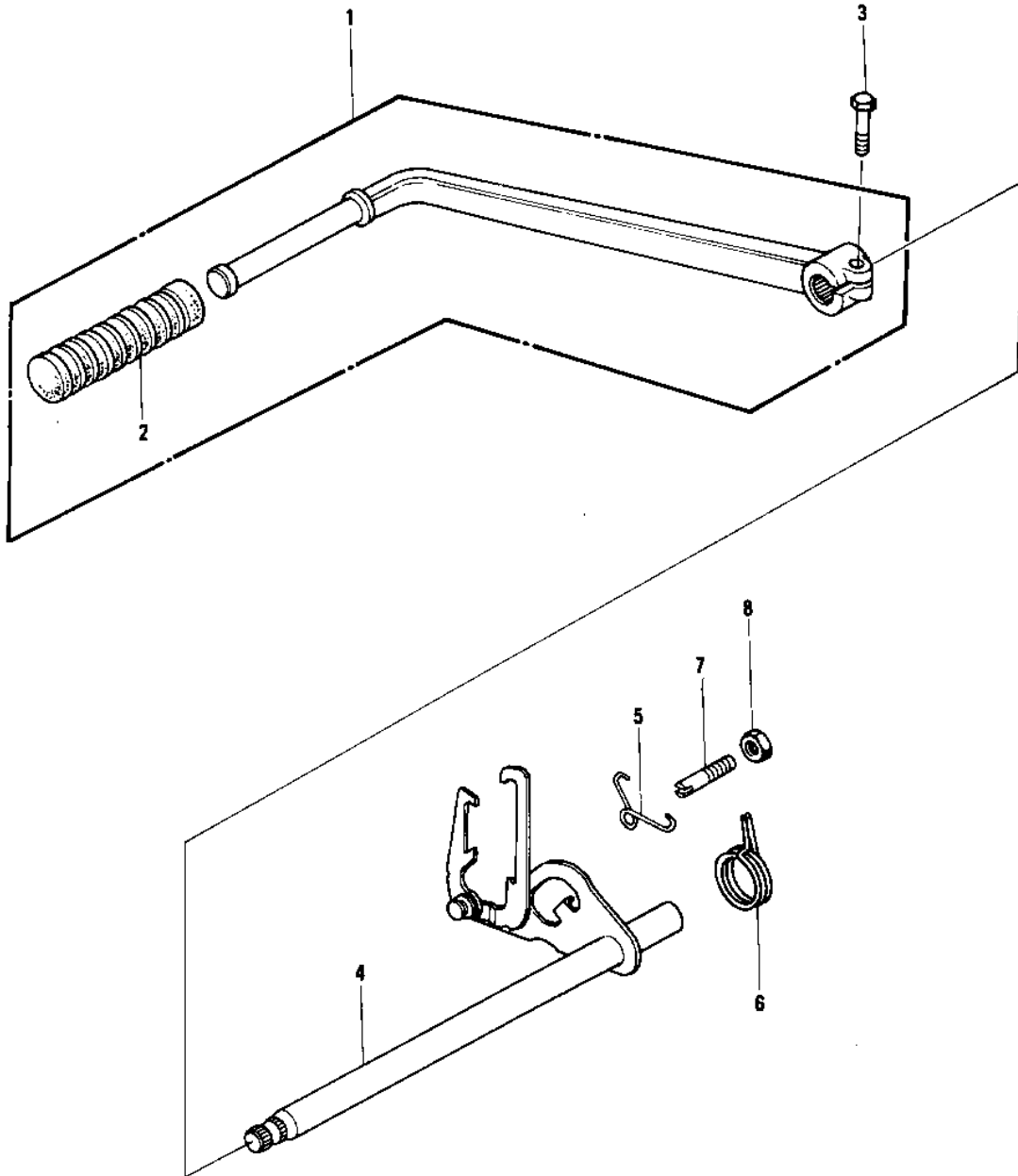


1977 KZ750-B2 PARTS DIAGRAM

GEAR CHANGE MECHANISM



1C

1977 KZ750-B2 PARTS LIST

GEAR CHANGE MECHANISM

ITEM NAME	PART NUMBER	QUANTITY
PEDAL ASSY,GEAR CHANG (Ref # 1)	13242-006	
LEVER-ASSY-CHANGE (Ref # 1)	13242-1100	
RUBBER CHANGE PEDAL (Ref # 2)	13157-004	
DAMPER,CHANGE PEDAL (Ref # 2)	92160-1036	
BOLT-UPSET (Ref # 3)	112N0620	
LEVER ASSY,GEAR SFT (Ref # 4)	13161-042	
SPRING,KICK PAWL (Ref # 5)	92083-018	
SPRING,CHG PEDL RTRN (Ref # 6)	92083-028	
BOLT,RETURN SPRING (Ref # 7)	92001-1401	
PIN CHANGE PEDAL SPRG (Ref # 7)	92043-057	
NUT 8MM (Ref # 8)	312B0800	