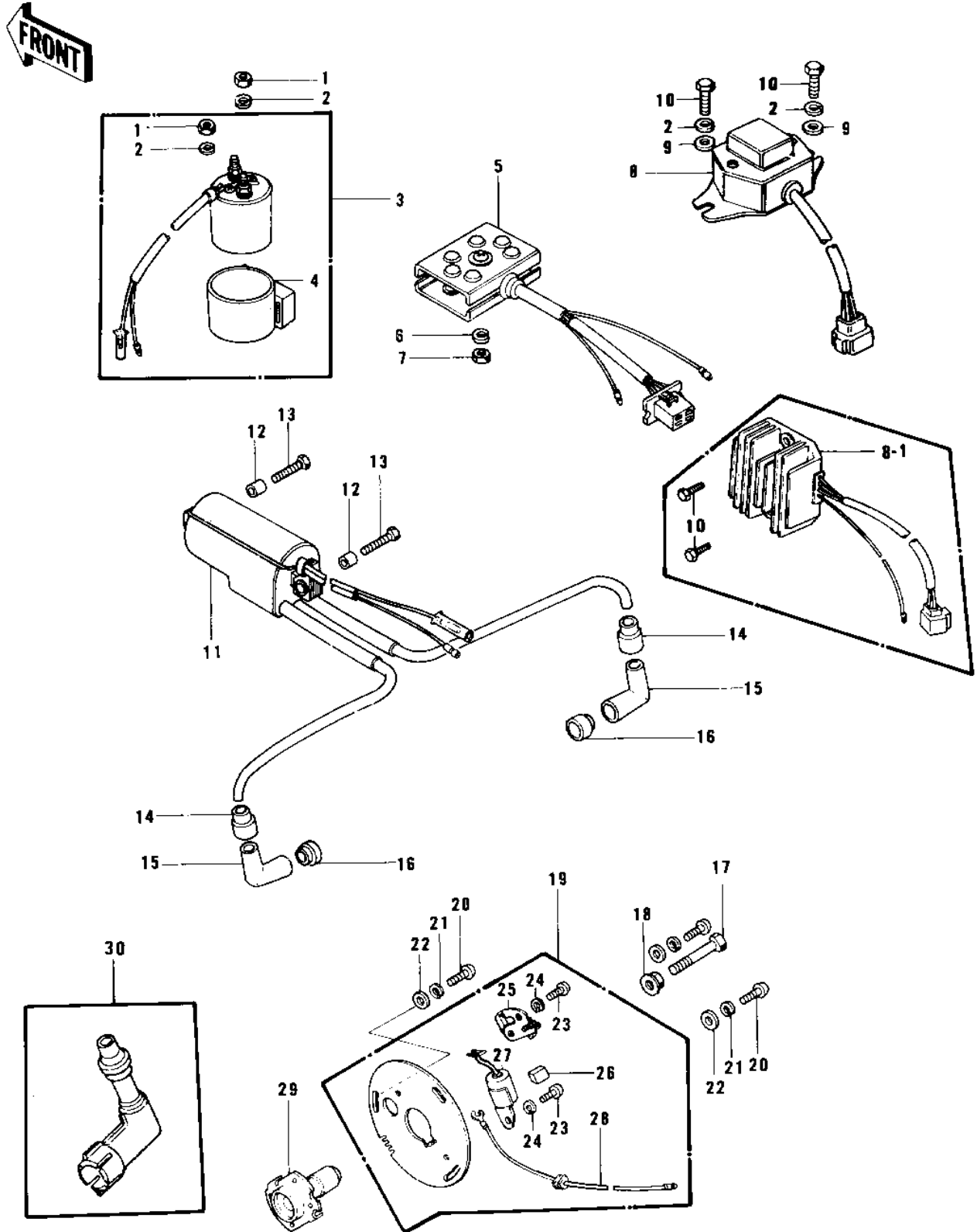


1979 KZ750-B4 PARTS DIAGRAM

IGNITION/REGULATOR/RECTIFIER



1979 KZ750-B4 PARTS LIST

IGNITION/REGULATOR/RECTIFIER

ITEM NAME	PART NUMBER	QUANTITY
NUT 6MM (Ref # 1)	312B0600	2
NUT,LOCK 6MM (Ref # 1)	92017-014	2
WASHER SPRING 6MM (Ref # 2)	461F0600	4
SWITCH ASSY,MAGNETIC (Ref # 3)	21164-005	1
DAMPER MAG SWITCH SHK (Ref # 4)	21064-002	1
RECTIFIER (Ref # 5)	21061-021	1
WASHER SPRING 6MM (Ref # 6)	461F0600	3
NUT 6MM (Ref # 7)	311B0600	1
REGULATOR (Ref # 8)	21066-027	1
REGULATOR (Ref # 8-1)	21066-029	1
WASHER PLAIN 6MM (Ref # 9)	411B0600	2
BOLT-UPSET,6X12 (Ref # 10)	112G0612	2
BOLT-UPSET (Ref # 10)	112G0614	2
COIL-IGNITION (Ref # 11)	21121-1174	1
COLLAR,IGNITION COIL (Ref # 12)	92027-276	2
COLLAR,IGNITION COIL (Ref # 12)	92027-276	2
BOLT, IGNITION COIL (Ref # 13)	92003-170	2
GROMMET,SPARK PLG CAP (Ref # 14)	21132-005	2
CAP-SPARK PLUG,RTFM20 (Ref # 15)	21130-1007	2
GROMMET-PLUG CAP,A (Ref # 16)	21131-004	2
BOLT-8X63 (Ref # 17)	92001-1397	1
WASHER,SPARK ADVANCER (Ref # 18)	92022-244	1
BREAKER ASSY,CONTACT (Ref # 19)	21008-1013	1
BREAKER ASSY,CONTACT (Ref # 19)	21008-1013	1
SCREW PAN HEAD 5X12 (Ref # 20)	220B0512	3
WASHER SPRING 5MM (Ref # 21)	461F0500	3
WASHER PLAIN 5MM (Ref # 22)	411B0500	3
SCREW PAN HEAD 4X6 (Ref # 23)	220B0406	2
WASHER SPRING 4MM (Ref # 24)	461F0400	2

1979 KZ750-B4 PARTS LIST

IGNITION/REGULATOR/RECTIFIER

ITEM NAME	PART NUMBER	QUANTITY
BREAKER,CONTACT (Ref # 25)	21008-025	1
BREAKER,CONTACT (Ref # 25)	21008-027	1
FELT OIL (Ref # 26)	21019-005	1
CONDENSER (Ref # 27)	21013-034	1
CONDENSER (Ref # 27)	21013-1002	1
WIRING HARNESS,BRAKE (Ref # 28)	26001-1040	1
WIRING HARNESS,BRAKE (Ref # 28)	26001-1040	1
ADVANCER,AUTO TIMING (Ref # 29)	21148-1004	1
ADVANCER,AUTO TIMING (Ref # 29)	21148-1004	1
CAP,SPARK PLUG (Ref # 30)	21160-005	2