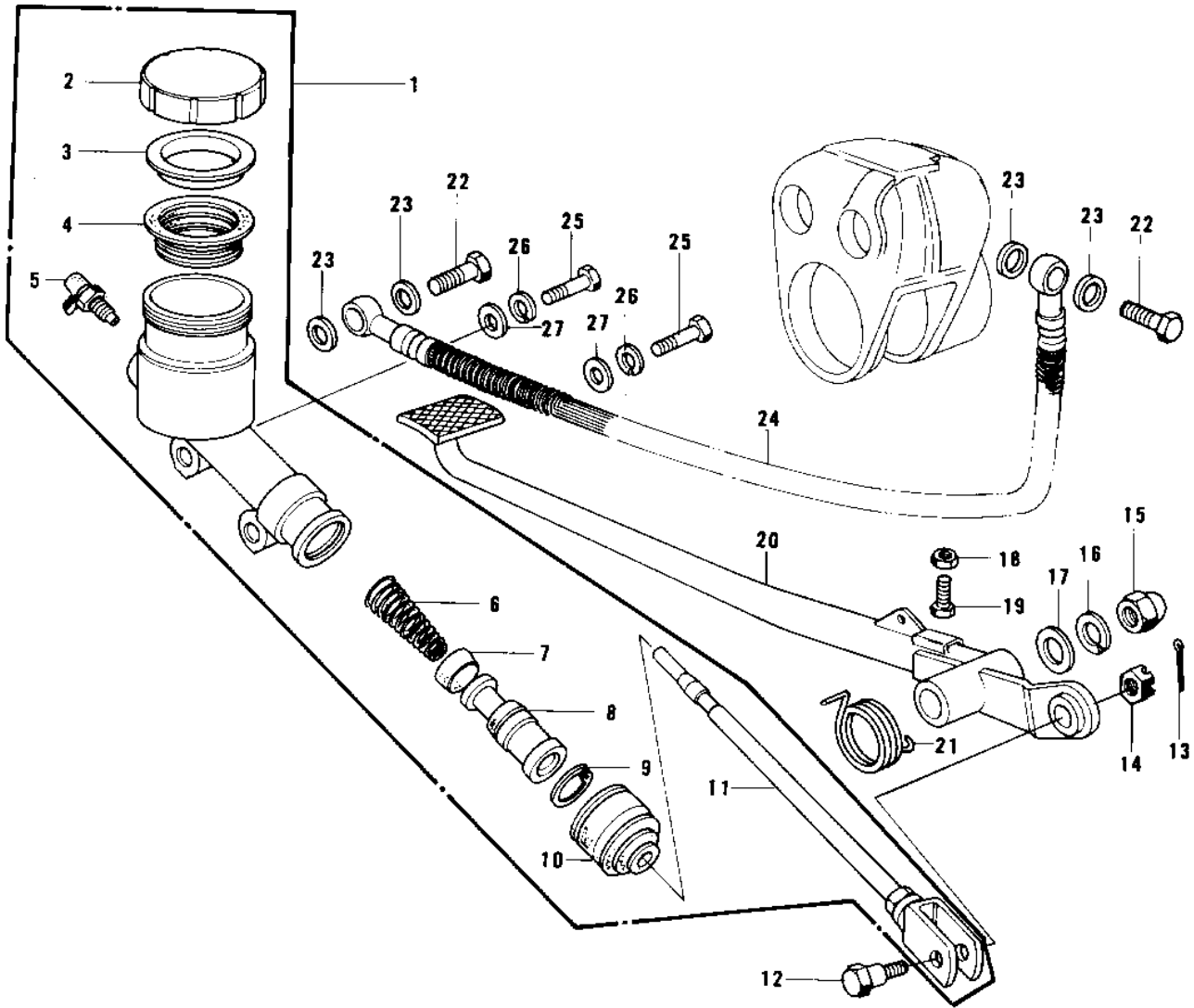


# 1979 KZ750-B4 PARTS DIAGRAM

## REAR MASTER CYLINDER/BRAKE PEDAL



# 1979 KZ750-B4 PARTS LIST

## REAR MASTER CYLINDER/BRAKE PEDAL

ITEM NAME	PART NUMBER	QUANTITY
CYL ASSY,MASTER,REAR (Ref # 1)	43015-1011	1
CAP,OIL CUP (Ref # 2)	43026-003	1
PLATE-MASTER CYLINDER (Ref # 3)	43027-001	1
DIAPHRAGM (Ref # 4)	43028-003	1
BLEEDER SET (Ref # 5)	43085-001	1
SPRING ASSY, RETURN (Ref # 6)	43018-002	1
CUP, PRIMARY (Ref # 7)	43019-002	1
PISTON ASSY (Ref # 8)	43072-004	1
CIRCLIP,20MM (Ref # 9)	481J2000	1
BOOTS (Ref # 10)	43024-002	1
ROD,BRAKE (Ref # 11)	43010-021	1
BOLT (Ref # 12)	92003-198	1
PIN COTTER 2.0X20 (Ref # 13)	550D2020	1
NUT CASTLE (Ref # 14)	321B0800	1
NUT,CAP AND LOCK,8MM (Ref # 15)	92019-013	1
WASHER SPRING 8MM (Ref # 16)	461F0800	1
WASHER,8.5X20X1.6 (Ref # 17)	92022-1561	1
NUT 6MM (Ref # 18)	311B0600	1
BOLT-UPSET (Ref # 19)	112G0625	1
PEDAL,BRAKE (Ref # 20)	43001-069	1
SPRING,BK PEDAL RETN (Ref # 21)	43005-036	1
BOLT,OIL,L=23 (Ref # 22)	92002-1888	2
WASHER-OIL BOLT (Ref # 23)	43067-001	4
HOSE,BRAKE (Ref # 24)	43059-027	1
BOLT-SMALL-UPSET,8X22 (Ref # 25)	115B0822	2
WASHER SPRING 8MM (Ref # 26)	461F0800	2
WASHER PLAIN 8MM (Ref # 27)	410B0800	2