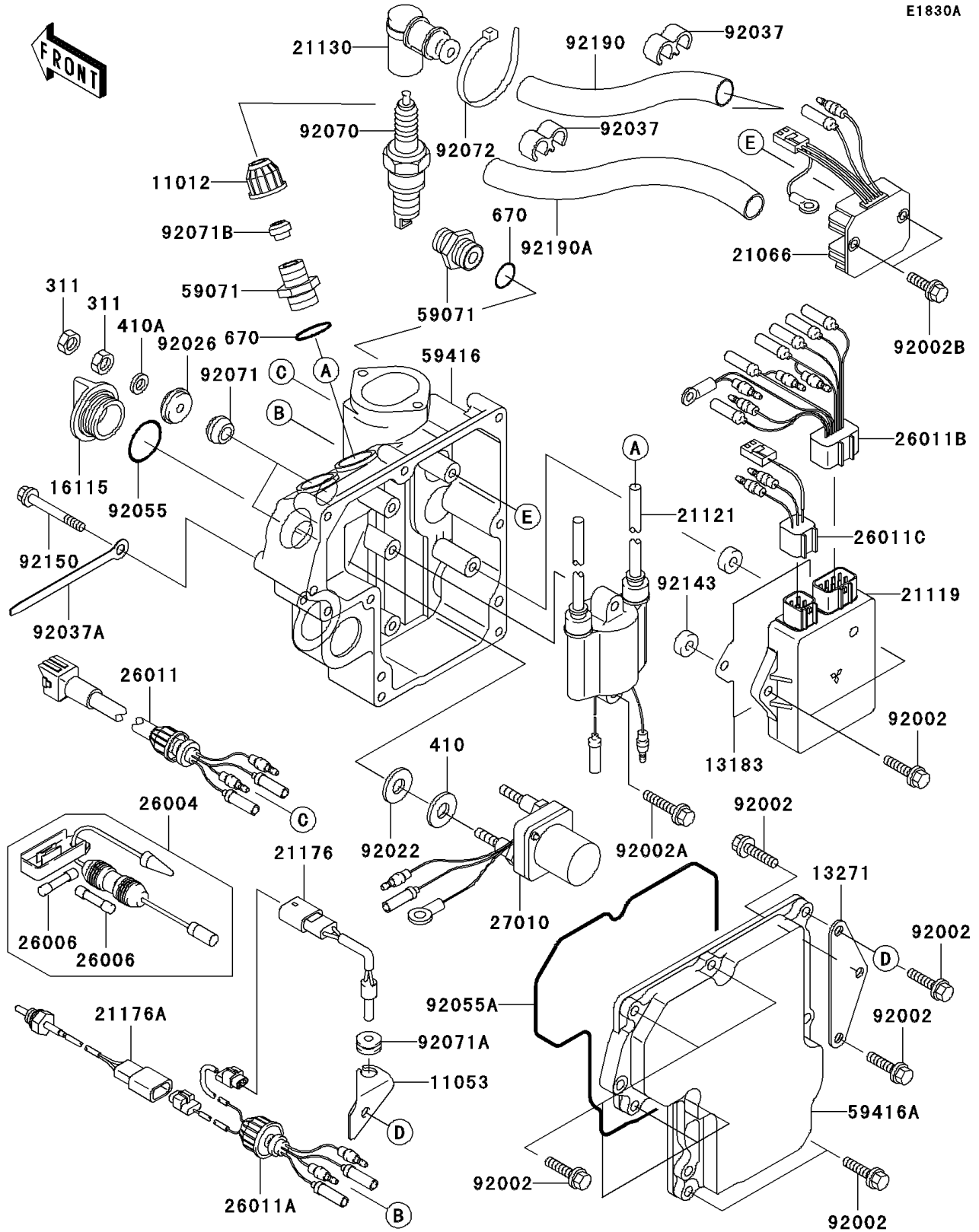


2005 800 SX-R PARTS DIAGRAM

Ignition System(A2/A3)



2005 800 SX-R PARTS LIST

Ignition System(A2/A3)

ITEM NAME	PART NUMBER	QUANTITY
NUT-HEX,6MM (Ref # 311)	311R0600	4
CAP (Ref # 11012)	11012-3005	2
BRACKET,AIR TEMP SENSOR (Ref # 11053)	11053-3775	1
PLATE (Ref # 13183)	13183-3811	1
PLATE (Ref # 13271)	13271-3870	1
CAP-OIL FILLER (Ref # 16115)	16115-1009	1
REGULATOR-VOLTAGE (Ref # 21066)	21066-3709	1
IGNITER (Ref # 21119)	21119-3764	1
COIL-IGNITION (Ref # 21121)	21121-3713	1
CAP-SPARK PLUG (Ref # 21130)	21130-3707	2
SENSOR,INTAKE AIR TEMP (Ref # 21176)	21176-3730	1
SENSOR,WATER TEMP (Ref # 21176A)	21176-3758	1
FUSE-ASSY (Ref # 26004)	26004-3712	1
FUSE,10A,L=30 (Ref # 26006)	26006-0003	2
WIRE-LEAD (Ref # 26011)	26011-3792	1
WIRE-LEAD,SENSOR (Ref # 26011A)	26011-3906	1
WIRE-LEAD (Ref # 26011B)	26011-3907	1
WIRE-LEAD (Ref # 26011C)	26011-3908	1
SWITCH,STARTER RELAY (Ref # 27010)	27010-3760	1
JOINT (Ref # 59071)	59071-3001	4
CASE-ELECTRIC,LWR (Ref # 59416)	59416-3762	1
CASE-ELECTRIC,UPP (Ref # 59416A)	59416-3763	1
BOLT,6X25 (Ref # 92002)	92002-3714	11
BOLT,6X30 (Ref # 92002A)	92002-3726	2
BOLT,6X20 (Ref # 92002B)	92002-3755	2
WASHER (Ref # 92022)	92022-3035	2
SPACER (Ref # 92026)	92026-3703	2
CLAMP,HOSE (Ref # 92037)	92037-1603	2
CLAMP,L=100 (Ref # 92037A)	92037-3736	1

2005 800 SX-R PARTS LIST

Ignition System(A2/A3)

ITEM NAME	PART NUMBER	QUANTITY
RING-O,31.7X2.4 (Ref # 92055)	92055-049	1
RING-O,ELECTRIC CASE (Ref # 92055A)	92055-3731	1
PLUG-SPARK,BR8ES(NGK),SOLID (Ref # 92070)	92070-3702	2
GROMMET (Ref # 92071)	92071-3004	2
GROMMET (Ref # 92071A)	92071-3733	1
GROMMET (Ref # 92071B)	92071-527	2
BAND,L=99 (Ref # 92072)	92072-3871	2
COLLAR,6.5X16X6 (Ref # 92143)	92143-1496	2
BOLT,6X85 (Ref # 92150)	92150-3763	3
TUBE,HIGH TENSION,L=210 (Ref # 92190)	92190-3708	1
TUBE,8X10X295 (Ref # 92190A)	92190-3960	1
WASHER-PLAIN-SMALL,10MM (Ref # 410)	410B1000	2
WASHER-PLAIN-SMALL,6MM (Ref # 410A)	410S0600	2
O RING,16MM (Ref # 670)	670B2016	4