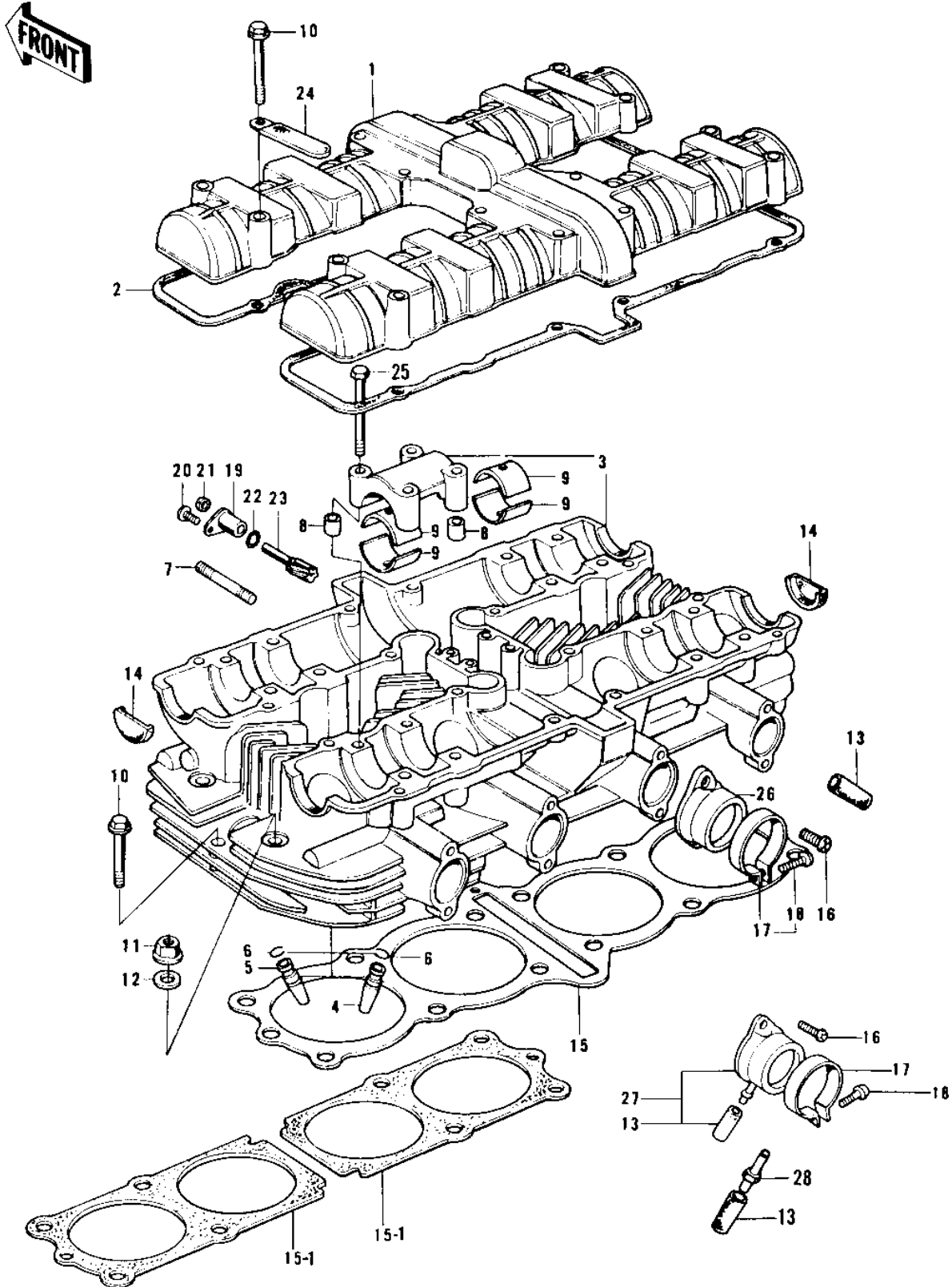


1975 Z1 PARTS DIAGRAM

CYLINDER HEAD/COVER



1975 Z1 PARTS LIST

CYLINDER HEAD/COVER

ITEM NAME	PART NUMBER	QUANTITY
COVER,CYLINDER HEAD (Ref # 1)	14025-1119	
COVER,CYLINDER HEAD (Ref # 1)	11022-012-2H	
GASKET,CYL HEAD COVER (Ref # 2)	11023-006	
CYLINDER HEAD (Ref # 3)	11002-012	
CYLINDER HEAD,BARREL (Ref # 3)	11002-016-2H	
GUIDE,INLET VALVE (Ref # 4)	12013-001	
GUIDE,INLET VALVE (Ref # 4)	12013-001	
GUIDE, EXHAUST VALVE (Ref # 5)	12013-002	
GUIDE, EXHAUST VALVE (Ref # 5)	12013-002	
CIRCLIP-VALVE (Ref # 6)	92036-023	
CIRCLIP-VALVE (Ref # 6)	92036-023	
STUD,6X46 (Ref # 7)	92004-049	
PIN-DOWEL (Ref # 8)	92042-007	
BUSHING,CAMSHAFT (Ref # 9)	13034-030	
BOLT,HEX HEAD,6X45 (Ref # 10)	92003-092	
NUT,CYLINDER HEAD (Ref # 11)	92015-076	
NUT,CYLINDER HEAD (Ref # 11)	92015-076	
WASHER,PLAIN,10MM (Ref # 12)	92022-215	
RUBBER PLUG (Ref # 13)	92068-006	
PLUG,CAM SHAFT (Ref # 14)	92066-017	
GASKET,CYLINDER HEAD (Ref # 15)	11004-052	
GASKET,CYLINDER HEAD (Ref # 15-1)	11004-066	
SCREW PAN HEAD 6X18 (Ref # 16)	220B0618	
CLAMP,HOLDER (Ref # 17)	92037-077	
SCREW PAN HEAD 5X20 (Ref # 18)	220B0520	
GUIDE,TACHOMETER GEAR (Ref # 19)	92087-5001	
SCREW PAN HEAD 6X12 (Ref # 20)	220B0612	
OIL SEAL (Ref # 21)	92050-075	
"O"RING 10MM (Ref # 22)	670B1510	

1975 Z1 PARTS LIST

CYLINDER HEAD/COVER

ITEM NAME	PART NUMBER	QUANTITY
GEAR,TACHOMETER,10T (Ref # 23)	13223-011	
CLAMP,WIRING HARNESS (Ref # 24)	21126-008	
BOLT,HEX HEAD,6X45 (Ref # 25)	92003-092	
HOLDER-R.H CARBRETOR (Ref # 26)	16065-028	
HOLDER-R.H CARBRETOR (Ref # 26)	16065-028	
HOLDER-R.H CARBRETOR (Ref # 26)	16065-028	
HOLDER-R.H CARBRETOR (Ref # 27)	16065-028	
HOLDER,CARBURETOR,L.H (Ref # 27)	16065-029	
HOLDER,CARBURETOR,L.H (Ref # 27)	16065-029	
NIPPLE (Ref # 28)	92005-005	