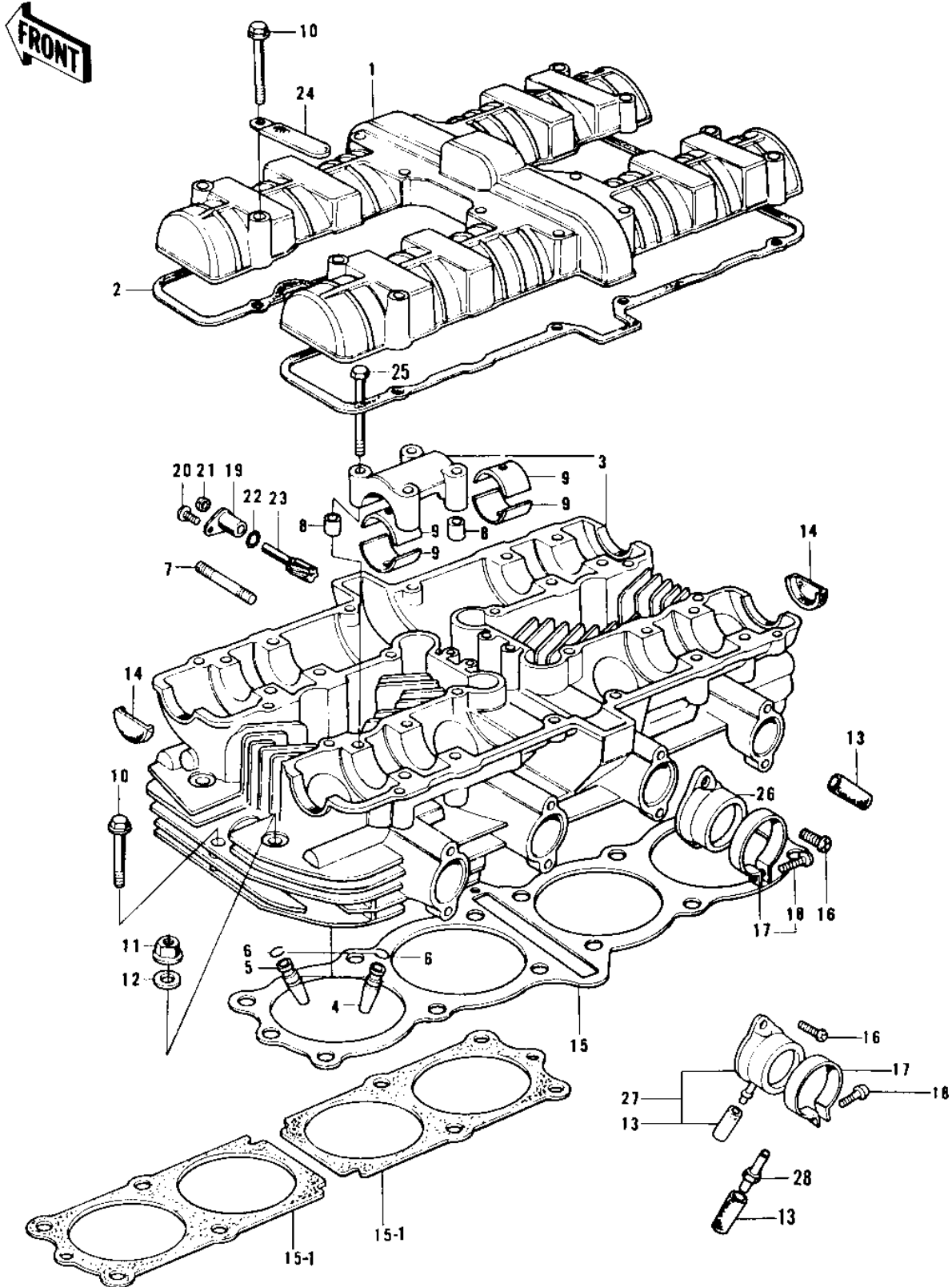


1973 Z1 PARTS DIAGRAM

CYLINDER HEAD/COVER



1973 Z1 PARTS LIST

CYLINDER HEAD/COVER

ITEM NAME	PART NUMBER	QUANTITY
COVER,CYLINDER HEAD (Ref # 1)	14025-1119	1
COVER,CYLINDER HEAD (Ref # 1)	11022-012-2H	1
GASKET,CYL HEAD COVER (Ref # 2)	11023-006	1
CYLINDER HEAD (Ref # 3)	11002-012	1
CYLINDER HEAD,BARREL (Ref # 3)	11002-016-2H	1
GUIDE,INLET VALVE (Ref # 4)	12013-001	4
GUIDE,INLET VALVE (Ref # 4)	12013-001	4
GUIDE, EXHAUST VALVE (Ref # 5)	12013-002	4
GUIDE, EXHAUST VALVE (Ref # 5)	12013-002	4
CIRCLIP-VALVE (Ref # 6)	92036-023	8
CIRCLIP-VALVE (Ref # 6)	92036-023	8
STUD,6X46 (Ref # 7)	92004-049	8
PIN-DOWEL (Ref # 8)	92042-007	8
BUSHING,CAMSHAFT (Ref # 9)	13034-030	16
BOLT,HEX HEAD,6X45 (Ref # 10)	92003-092	19
NUT,CYLINDER HEAD (Ref # 11)	92015-076	12
NUT,CYLINDER HEAD (Ref # 11)	92015-076	12
WASHER,PLAIN,10MM (Ref # 12)	92022-215	12
RUBBER PLUG (Ref # 13)	92068-006	4
PLUG,CAM SHAFT (Ref # 14)	92066-017	4
GASKET,CYLINDER HEAD (Ref # 15)	11004-052	1
GASKET,CYLINDER HEAD (Ref # 15-1)	11004-066	2
SCREW PAN HEAD 6X18 (Ref # 16)	220B0618	8
CLAMP,HOLDER (Ref # 17)	92037-077	4
SCREW PAN HEAD 5X20 (Ref # 18)	220B0520	4
GUIDE,TACHOMETER GEAR (Ref # 19)	92087-5001	1
SCREW PAN HEAD 6X12 (Ref # 20)	220B0612	1
OIL SEAL (Ref # 21)	92050-075	1
"O"RING 10MM (Ref # 22)	670B1510	1

1973 Z1 PARTS LIST

CYLINDER HEAD/COVER

ITEM NAME	PART NUMBER	QUANTITY
GEAR,TACHOMETER,10T (Ref # 23)	13223-011	1
CLAMP,WIRING HARNESS (Ref # 24)	21126-008	4
BOLT,HEX HEAD,6X45 (Ref # 25)	92003-092	16
HOLDER-R.H CARBRETOR (Ref # 26)	16065-028	2
HOLDER-R.H CARBRETOR (Ref # 26)	16065-028	2
HOLDER-R.H CARBRETOR (Ref # 26)	16065-028	2
HOLDER-R.H CARBRETOR (Ref # 27)	16065-028	2
HOLDER,CARBURETOR,L.H (Ref # 27)	16065-029	2
HOLDER,CARBURETOR,L.H (Ref # 27)	16065-029	2
NIPPLE (Ref # 28)	92005-005	4