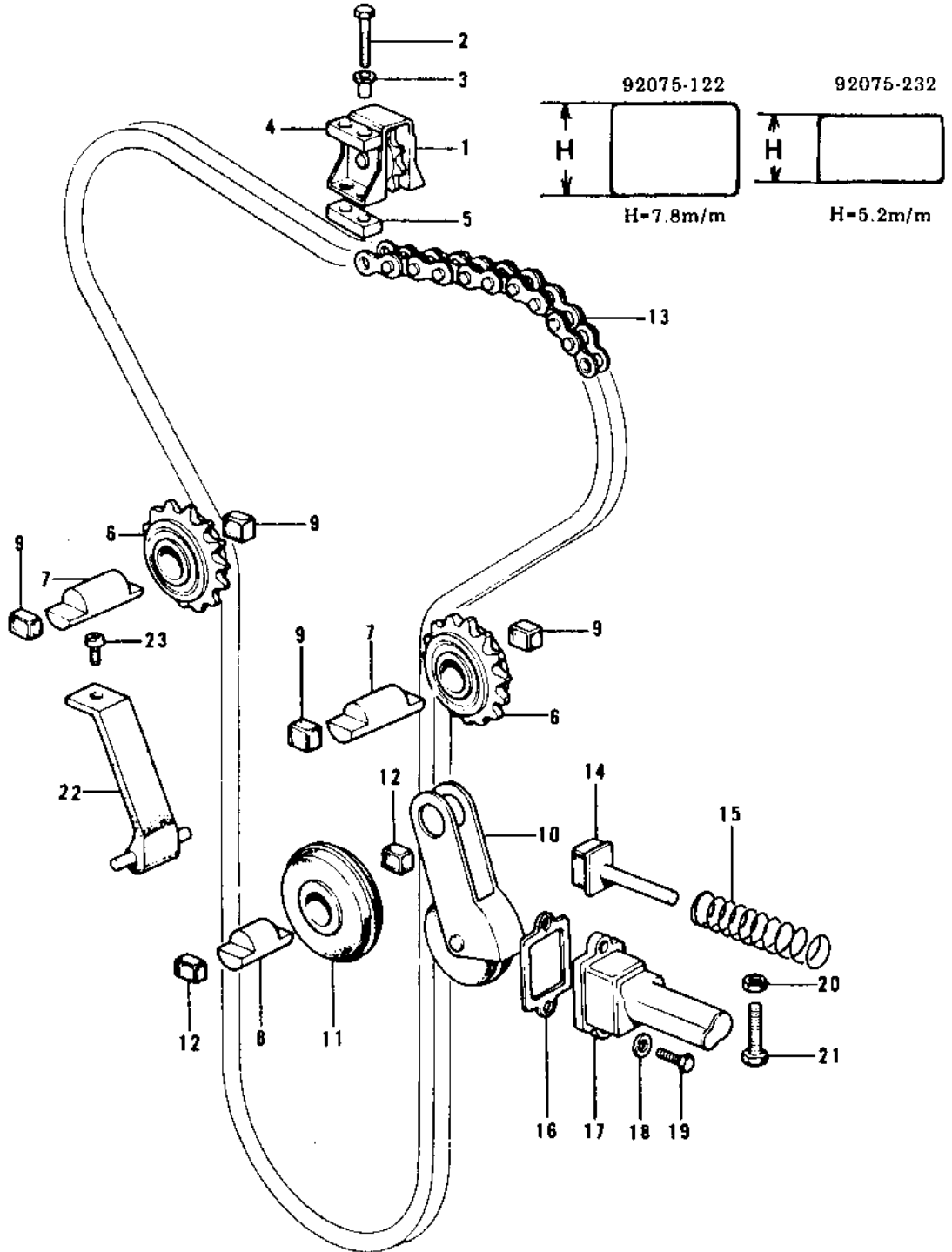


# 1974 Z1 PARTS DIAGRAM

## CAM CHAIN/TENSIONER



# 1974 Z1 PARTS LIST

## CAM CHAIN/TENSIONER

ITEM NAME	PART NUMBER	QUANTITY
IDLER ASSY (Ref # 1)	12057-001	
BOLT-UPSET,6X35 (Ref # 2)	112G0635	
COLLAR (Ref # 3)	92027-155	
DAMPER RUBBER (Ref # 4)	92075-119	
DAMPER RUBBER (Ref # 5)	92075-120	
IDLER ASSY (Ref # 6)	12057-002	
SHAFT,GUIDE ROLLER (Ref # 7)	12052-005	
SHAFT,GUIDE ROLLER (Ref # 7)	12052-005	
SHAFT,CAM CHAIN GUIDE (Ref # 8)	12052-003	
DAMPER RUBBER (Ref # 9)	92075-122	
RUBBER,GUIDE ROLLAR (Ref # 9)	92075-232	
TENSIONER ASSY,CHAIN (Ref # 10)	12048-001	
ROLLER,CAM CHAIN GUID (Ref # 11)	12055-002	
DAMPER RUBBER (Ref # 12)	92075-123	
CHAIN,CAM SHAFT (Ref # 13)	21070-003	
PUSH ROD,CAM CHAIN (Ref # 14)	12054-001	
SPRING,TENSTIONER (Ref # 15)	92081-107	
GASKET,TENSIONER (Ref # 16)	11009-1980	
GASKET,TENSIONER (Ref # 16)	11009-1980	
HOLDER,TENSIONER (Ref # 17)	12049-1003	
HOLDER,TENSIONER (Ref # 17)	12049-1003	
WASHER PLAIN 6MM (Ref # 18)	410B0600	
BOLT-UPSET,6X20 (Ref # 19)	112G0620	
NUT 6MM (Ref # 20)	311B0600	
BOLT,TENSIONER ADJUST (Ref # 21)	92003-093	
GUIDE,CAM CHAIN (Ref # 22)	12053-019	
GUIDE,CAM CHAIN (Ref # 22)	12053-019	
SCREW PAN HEAD 6X10 (Ref # 23)	220B0610	