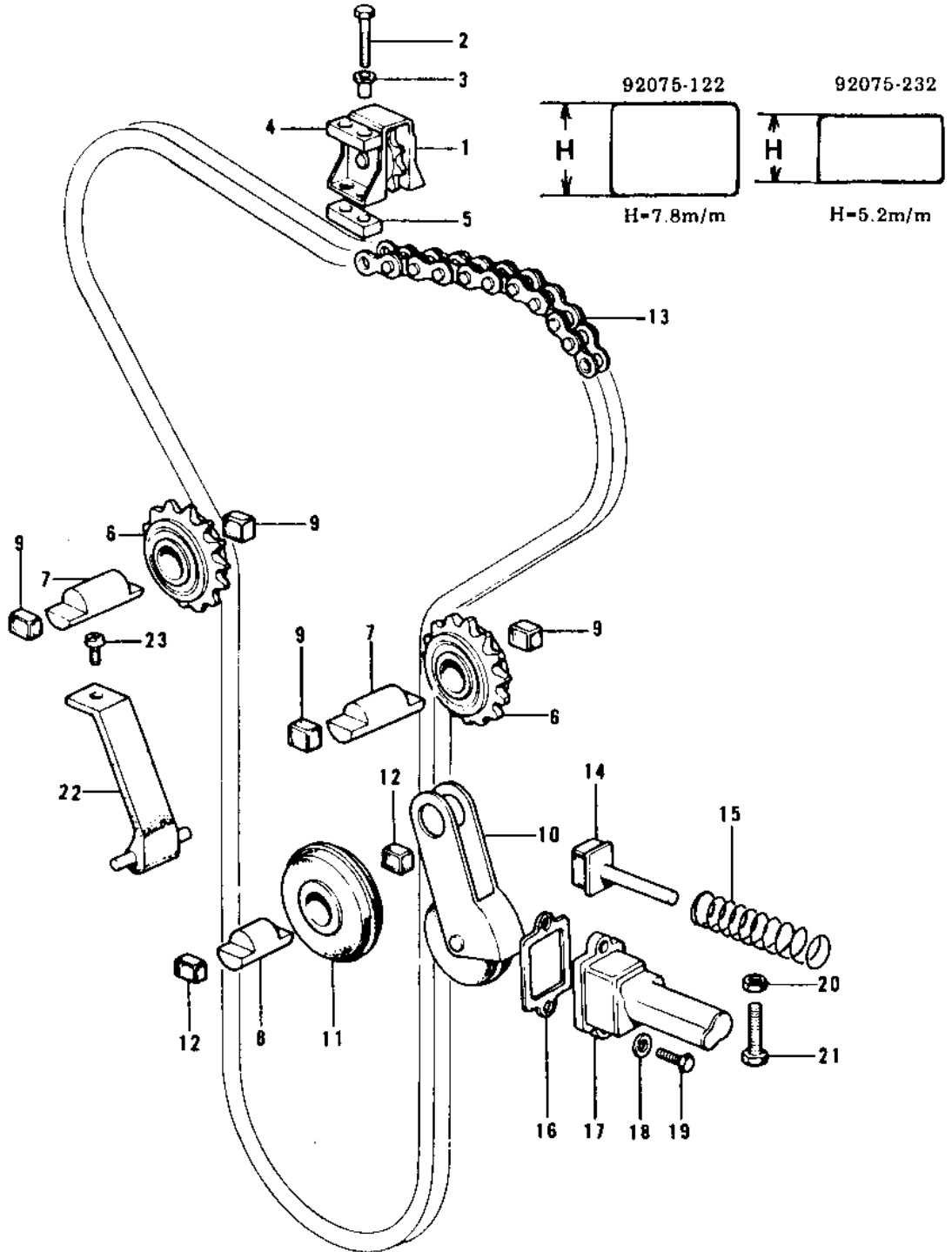


# 1973 Z1 PARTS DIAGRAM

## CAM CHAIN/TENSIONER



# 1973 Z1 PARTS LIST

## CAM CHAIN/TENSIONER

ITEM NAME	PART NUMBER	QUANTITY
IDLER ASSY (Ref # 1)	12057-001	1
BOLT-UPSET,6X35 (Ref # 2)	112G0635	4
COLLAR (Ref # 3)	92027-155	4
DAMPER RUBBER (Ref # 4)	92075-119	2
DAMPER RUBBER (Ref # 5)	92075-120	2
IDLER ASSY (Ref # 6)	12057-002	2
SHAFT,GUIDE ROLLER (Ref # 7)	12052-005	2
SHAFT,GUIDE ROLLER (Ref # 7)	12052-005	2
SHAFT,CAM CHAIN GUIDE (Ref # 8)	12052-003	1
DAMPER RUBBER (Ref # 9)	92075-122	4
RUBBER,GUIDE ROLLAR (Ref # 9)	92075-232	4
TENSIONER ASSY,CHAIN (Ref # 10)	12048-001	1
ROLLER,CAM CHAIN GUID (Ref # 11)	12055-002	1
DAMPER RUBBER (Ref # 12)	92075-123	2
CHAIN,CAM SHAFT (Ref # 13)	21070-003	1
PUSH ROD,CAM CHAIN (Ref # 14)	12054-001	1
SPRING,TENSTIONER (Ref # 15)	92081-107	1
GASKET,TENSIONER (Ref # 16)	11009-1980	1
GASKET,TENSIONER (Ref # 16)	11009-1980	1
HOLDER,TENSIONER (Ref # 17)	12049-1003	1
HOLDER,TENSIONER (Ref # 17)	12049-1003	1
WASHER PLAIN 6MM (Ref # 18)	410B0600	2
BOLT-UPSET,6X20 (Ref # 19)	112G0620	2
NUT 6MM (Ref # 20)	311B0600	1
BOLT,TENSIONER ADJUST (Ref # 21)	92003-093	1
GUIDE,CAM CHAIN (Ref # 22)	12053-019	1
GUIDE,CAM CHAIN (Ref # 22)	12053-019	1
SCREW PAN HEAD 6X10 (Ref # 23)	220B0610	1