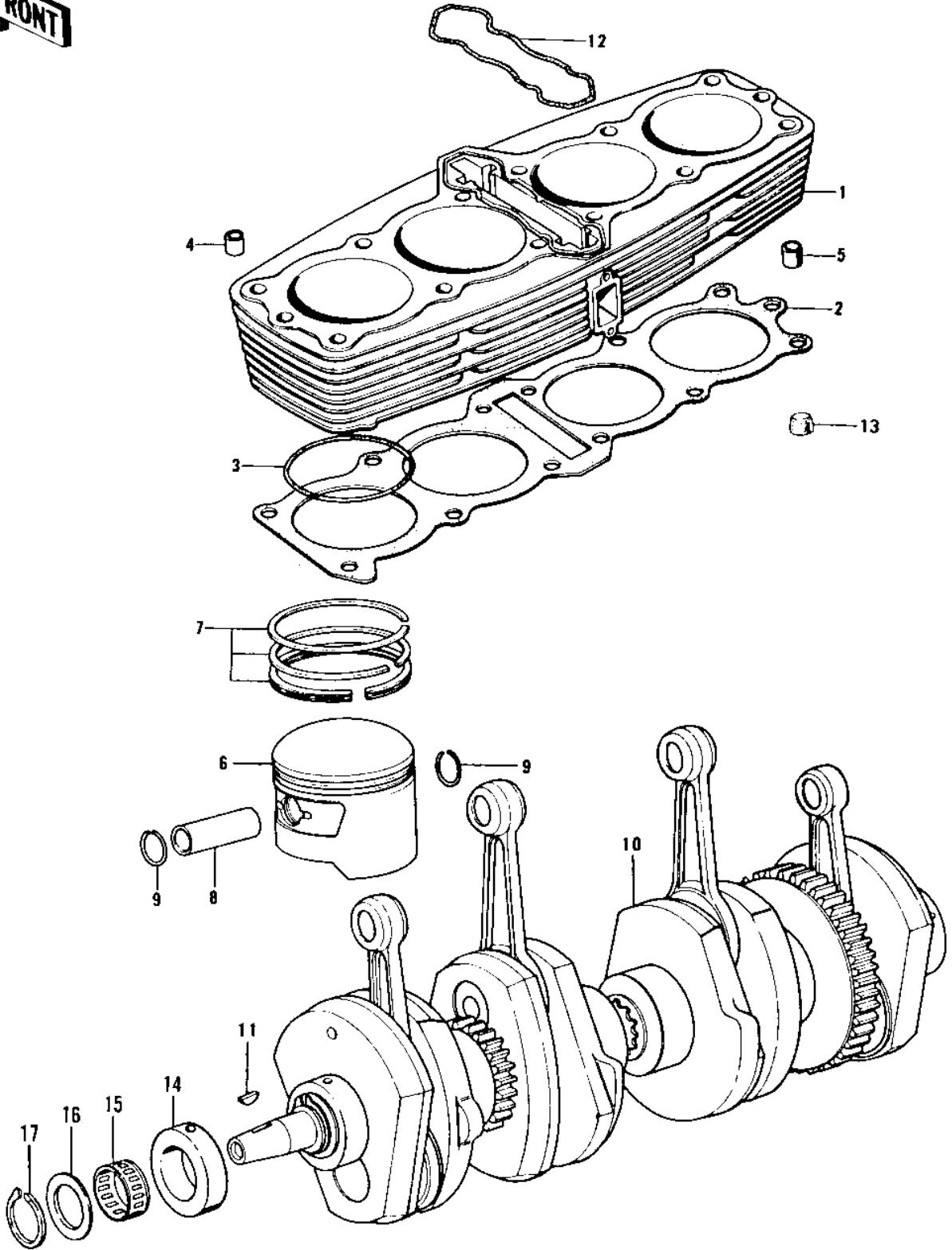


1975 Z1 PARTS DIAGRAM

CYLINDER/PISTONS/CRANKSHAFT



1975 Z1 PARTS LIST

CYLINDER/PISTONS/CRANKSHAFT

ITEM NAME	PART NUMBER	QUANTITY
CYLINDER (Ref # 1)	11005-136	
CYLINDER (Ref # 1)	11005-136	
CYLINDER,BARREL (Ref # 1)	11005-136-2H	
GASKET,CYLINDER BASE (Ref # 2)	11009-030	
"O" RING,73MM (Ref # 3)	92055-054	
PIN,DOWEL,10X8.2X14 (Ref # 4)	92043-1037	
PIN,11X14X12.3 (Ref # 5)	92043-1266	
PISTON,STD (Ref # 6)	13001-054	
PISTON,0.020 0.S (Ref # 6)	13029-058	
PISTON,0.040'0.S (Ref # 6)	13027-056	
RING SET,STD (Ref # 7)	13008-5005	
RING SET,0.020'0.S (Ref # 7)	13025-5004	
RING SET,0.040'0.S (Ref # 7)	13024-5005	
PIN-PISTON (Ref # 8)	13002-022	
CIRCLIP,PISTON PIN (Ref # 9)	92036-021	
CRANK&CONROD ASSY (Ref # 10)	13031-043	
WOODRUFF KEY (Ref # 11)	92038-001	
GASKET,CYLINDER RUBER (Ref # 12)	92055-062	
RUBBER PLUG,CYLINDER (Ref # 13)	92074-030	
BUSHING,CRANKSHAFT (Ref # 14)	92028-121	
BRG,N,PK304016.8X3 (Ref # 15)	92046-063	
WASHER,THRUST (Ref # 16)	92026-079	
CIRCLIP,30MM (Ref # 17)	480J3000	