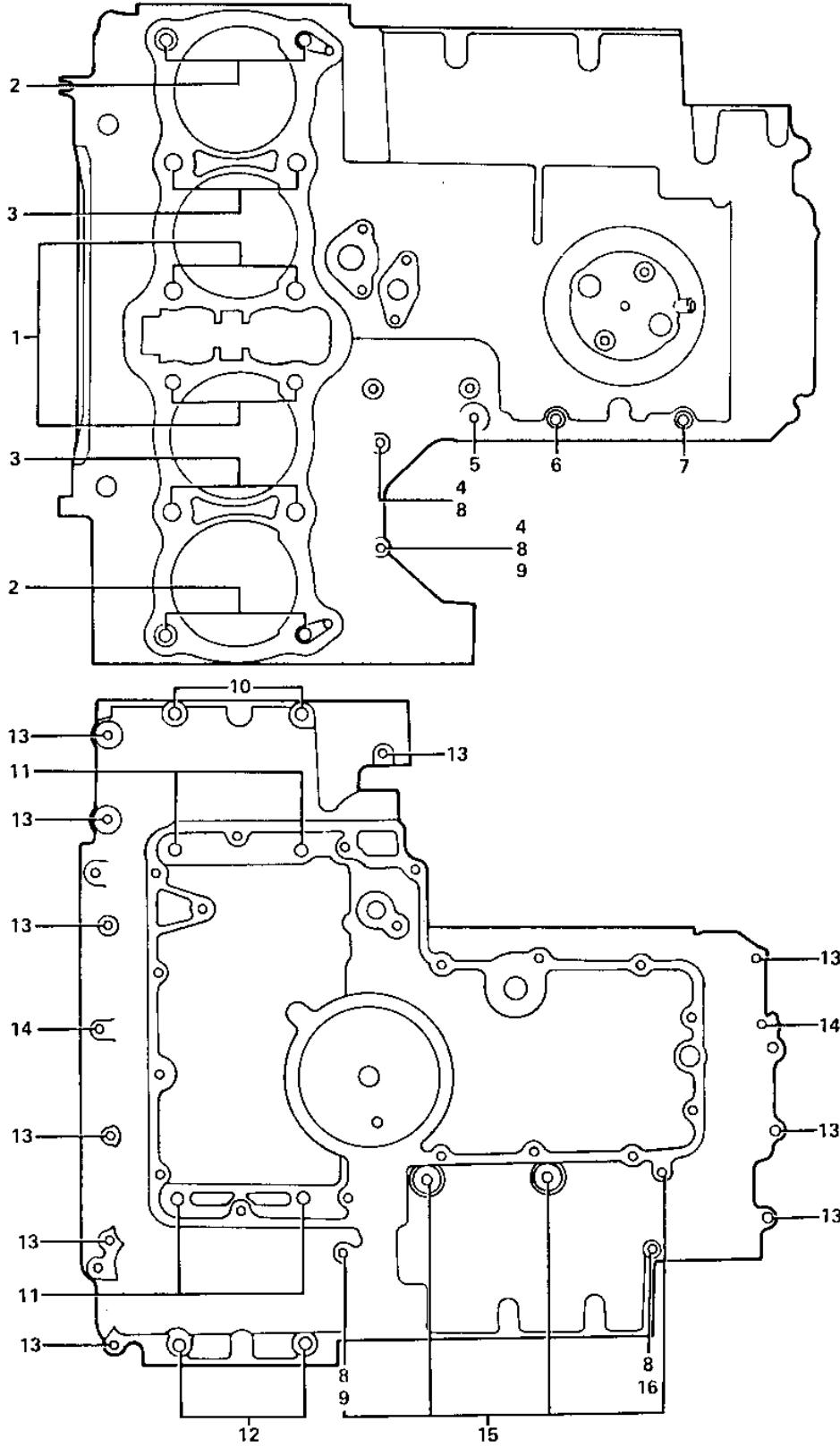


1973 Z1 PARTS DIAGRAM

CRANKCASE BOLT & STUD PATTERN



1973 Z1 PARTS LIST

CRANKCASE BOLT & STUD PATTERN

ITEM NAME	PART NUMBER	QUANTITY
STUD,10X190 (Ref # 1)	92004-1002	4
STUD,10X133 (Ref # 1)	92004-1004	4
STUD,10X158 (Ref # 2)	92004-1003	4
STUD,10X158 (Ref # 2)	92004-1003	4
STUD,10X133 (Ref # 3)	92004-1004	4
STUD,10X190 (Ref # 3)	92004-1002	4
BOLT,HEX HEAD,6X41 (Ref # 4)	92003-109	2
BOLT,HEX HEAD,6X54 (Ref # 5)	92003-110	1
BOLT,HEX HEAD,6X99 (Ref # 6)	92003-111	1
BOLT,HEX HEAD,6X116 (Ref # 7)	92003-113	1
CLAMP,WIRING HARNESS (Ref # 8)	21126-008	2
WASHER PLAIN 6MM (Ref # 9)	410B0600	1
BOLT-FLANGED,8X95 (Ref # 10)	130P0895	2
BOLT,HEX HEAD,8X72 (Ref # 11)	92003-107	4
BOLT,HEX HEAD,8X81 (Ref # 12)	92003-108	2
BOLT,HEX HEAD,6X41 (Ref # 13)	92003-109	10
BOLT,HEX HEAD,6X54 (Ref # 14)	92003-110	2
BOLT-FLANGED,6X95 (Ref # 15)	130G0695	4
BOLT-FLANGED,6X70 (Ref # 16)	130G0670	1