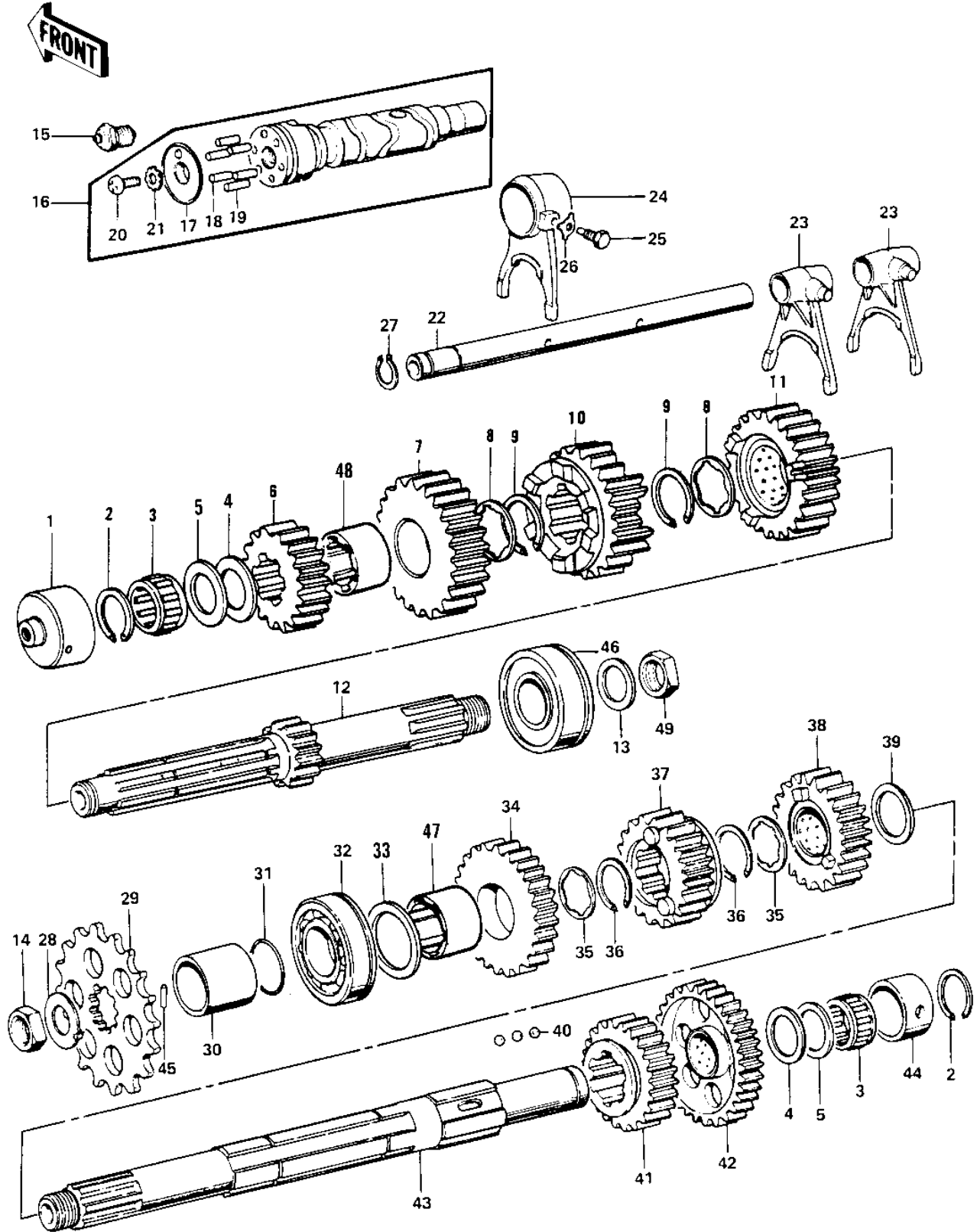


1974 Z1 PARTS DIAGRAM

TRANSMISSION/CHANGE DRUM



1974 Z1 PARTS LIST

TRANSMISSION/CHANGE DRUM

ITEM NAME	PART NUMBER	QUANTITY
BUSH,DRIVE SHAFT (Ref # 1)	92028-122	
CIRCLIP,25MM (Ref # 2)	92033-025	
BEARING,PK223013.8 (Ref # 3)	92046-031	
SPACER (I.D=22 O.D=35 (Ref # 4)	92026-1020	
WASHER,PLAIN,22MM (Ref # 5)	92022-212	
WASHER,PLAIN,22MM (Ref # 5)	92022-213	
2ND GER,DRIVE SHAFT (Ref # 6)	13130-032	
TOP GEAR,DRIVE SHAFT (Ref # 7)	13136-042	
WASHER,THRUST,26MM (Ref # 8)	92024-042	
CIRCLIP 28MM (Ref # 9)	480J2800	
3RD GEAR,DRIVE SHAFT (Ref # 10)	13132-030	
4TH GEAR,DRIVE SHAFT (Ref # 11)	13134-016	
SHAFT,DRIVE 12T (Ref # 12)	13127-042	
WASHER (Ref # 13)	92125-002	
NUT,20MM (Ref # 14)	92016-043	
SWITCH,NEUTRAL (Ref # 15)	13151-018	
DRUM ASSY,GEAR CHANGE (Ref # 16)	13239-1010	
DRUM ASSY,GEAR CHANGE (Ref # 16)	13239-1010	
PLATE,GEAR CHNG DRUM (Ref # 17)	13142-013	
HOLDER,CHANGE DRUM (Ref # 17)	13091-1088	
PIN-CHANGE DRUM (Ref # 18)	92042-020	
PIN GEAR CHANGE DRUM (Ref # 19)	92042-014	
SCREW PAN HEAD 6X12 (Ref # 20)	220B0612	
WASHER LOCK 6MM (Ref # 21)	464G0600	
ROD,SHIFT (Ref # 22)	13209-011	
FORK,SELECTOR,4TH&TOP (Ref # 23)	13140-045	
FORK,SELECTOR,3RD (Ref # 24)	13140-046	
PIN SELECT FORK GUIDE (Ref # 25)	92043-016	
WASHER LOCK 10MM (Ref # 26)	92031-001	

1974 Z1 PARTS LIST

TRANSMISSION/CHANGE DRUM

ITEM NAME	PART NUMBER	QUANTITY
CIRCLIP 12MM (Ref # 27)	480J1200	
WASHER,LOCK,20MM (Ref # 28)	92024-044	
ENGINE SPROCKET 15T (Ref # 29)	13144-062	
ENGINE SPROCKET 15T (Ref # 29)	13144-062	
COLLAR,ENG SPROCKET (Ref # 30)	92027-288	
"O" RING (Ref # 31)	92055-035	
BEARING,BL305 256217 (Ref # 32)	92045-021	
WASHER,PLAIN,25MM (Ref # 33)	92022-210	
2ND GEAR,OUTPUT SHAFT (Ref # 34)	13131-038	
WASHER THRUST,28MM (Ref # 35)	92024-043	
CIRCLIP,30MM (Ref # 36)	480J3000	
TOP GEAR,OUTPUT SHAFT (Ref # 37)	13129-1214	
TOP GEAR,OUTPUT SHAFT (Ref # 37)	13129-1214	
3RD GEAR,OUTPUT SHAFT (Ref # 38)	13133-031	
WASHER,PLAIN,30MM (Ref # 39)	92022-209	
BALL STEEL 3/16' (Ref # 40)	600A0600	
4TH GEAR,OUTPUT SHAFT (Ref # 41)	13135-020	
LOW GER,OUTPUT SHAFT (Ref # 42)	13129-046	
SHAFT,OUTPUT (Ref # 43)	13128-5006	
SHAFT,OUTPUT (Ref # 43)	13128-5006	
BUSH,OUTPUT SHAFT (Ref # 44)	92028-123	
PIN (Ref # 45)	92043-109	
BEARING,BALL,5305NSH2 (Ref # 46)	92045-1028	
BUSHING,2ND GEAR (Ref # 47)	92028-1005	
BUSHING,TOP GEAR (Ref # 48)	92028-1124	
NUT,20MM (Ref # 49)	92016-043	
NUT,20MM (Ref # 49)	92015-1555	
NUT,20MM (Ref # 49)	92015-1555	