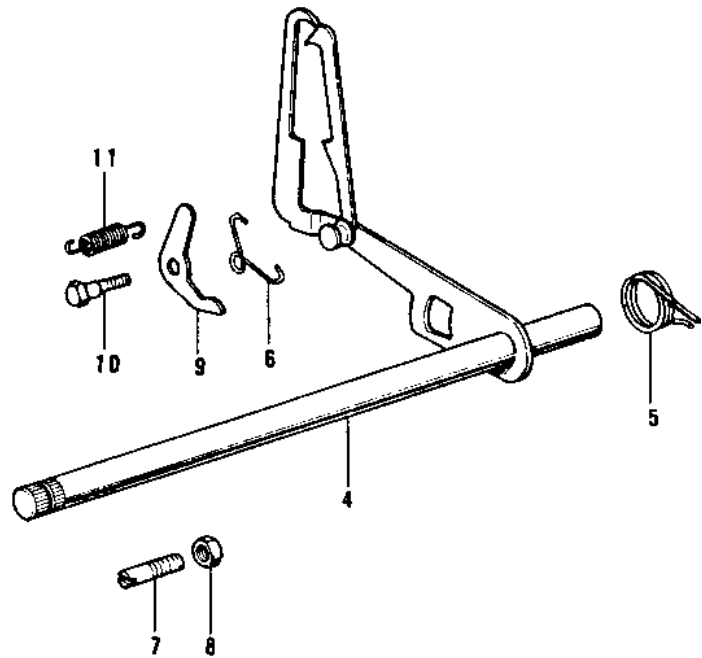
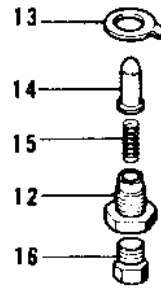
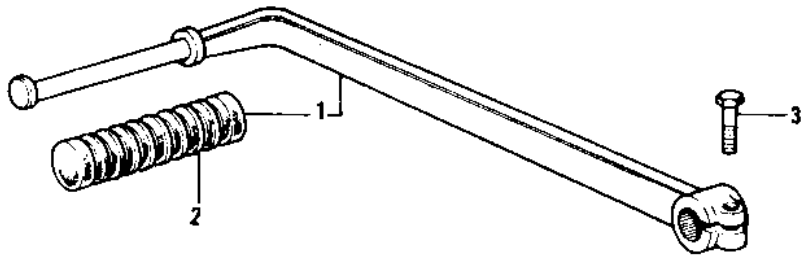


1974 Z1 PARTS DIAGRAM

GEAR CHANGE MECHANISM



1974 Z1 PARTS LIST

GEAR CHANGE MECHANISM

ITEM NAME	PART NUMBER	QUANTITY
PEDAL ASSY,GEAR CHANG (Ref # 1)	13242-006	
RUBBER CHANGE PEDAL (Ref # 2)	13157-004	
BOLT-UPSET (Ref # 3)	112N0620	
LEVER ASSY GEAR CHNG (Ref # 4)	13161-029	
SPRING,CHG PEDL RTN (Ref # 5)	92083-021	
SPRING,CHG PEDL RTRN (Ref # 5)	92083-028	
SPRING,KICK PAWL (Ref # 6)	92083-018	
PIN CHANGE PEDAL SPRG (Ref # 7)	92043-057	
NUT 8MM (Ref # 8)	312B0800	
LEVER,GEAR CHNG DRUM (Ref # 9)	13168-024	
BOLT,CHANGE DRUM LEVE (Ref # 10)	92150-1450	
SPRING CHNG DRUM LEV (Ref # 11)	92081-051	
BOLT,CHG DRUM POSITN (Ref # 12)	92001-112	
WASHER,LOCK (Ref # 13)	92024-047	
PIN (Ref # 14)	92043-085	
SPRING (Ref # 15)	92081-106	
BOLT (Ref # 16)	92001-119	