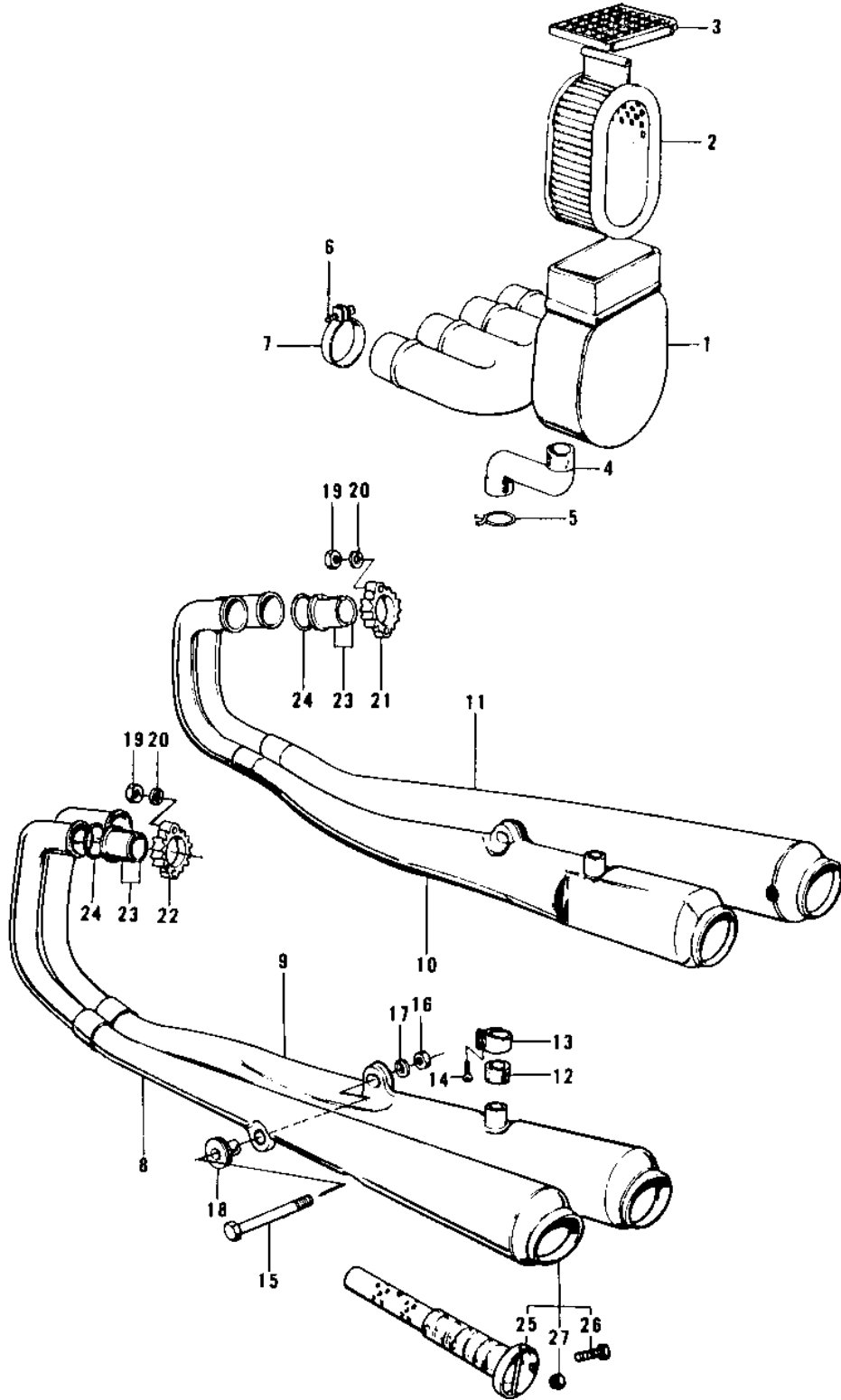


1973 Z1 PARTS DIAGRAM

AIR CLEANER/MUFFLERS



1973 Z1 PARTS LIST

AIR CLEANER/MUFFLERS

ITEM NAME	PART NUMBER	QUANTITY
BODY,AIR CLEANER (Ref # 1)	11011-022	1
ELEMENT,AIR,CLNR (Ref # 2)	11013-034	1
CAP,AIR CLEANER (Ref # 3)	11012-030	1
PIPE,BREATHER (Ref # 4)	92059-078	1
CLAMP BREATHER PIPE (Ref # 5)	92037-028	1
SCREW-PAN-CROS (Ref # 6)	220B0535	4
CLAMP,AIR INLET (Ref # 7)	92123-002	4
MUFFLER ASSY,L.H UPP (Ref # 8)	18001-227	1
MUFFLER ASSY,L.H LOW (Ref # 9)	18001-228	1
MUFFLER ASSY,R.H LOW (Ref # 10)	18001-183	1
MUFFLER ASSY,R.H UPP (Ref # 11)	18001-184	1
PIPE,MUFFLER CONNECT (Ref # 12)	92059-079	2
PIPE,MUFFLER CONNECT (Ref # 12)	92059-120	2
CLAMP,MUFFLER CONNECT (Ref # 13)	92037-103	2
SCREW PAN HEAD 5X16 (Ref # 14)	220B0516	2
SCREW PAN HEAD 6X16 (Ref # 14)	220B0616	2
BOLT,HEX HEAD,10X104 (Ref # 15)	92003-180	2
BOLT,HEX HEAD,10X104 (Ref # 15)	92003-180	2
BOLT,HEX HEAD,10X104 (Ref # 15)	92003-180	2
NUT,10MM (Ref # 16)	92015-1429	2
NUT,LOCK,10MM (Ref # 16)	92019-021	2
WASHER PLAIN 10MM (Ref # 17)	410B1000	2
BUSHING,MUFFLER FITT (Ref # 18)	92092-010	4
NUT 6MM (Ref # 19)	311B0600	8
WASHER SPRING 6MM (Ref # 20)	461F0600	8
HOLDER,EXHAUST PIPE (Ref # 21)	18069-045	2
HOLDER,EXHAUST PIPE (Ref # 22)	18069-046	2
INSERT,EXHAUST PIPE (Ref # 23)	92027-170	8
GASKET,EXHAUST PIPE H (Ref # 24)	11009-1906	4