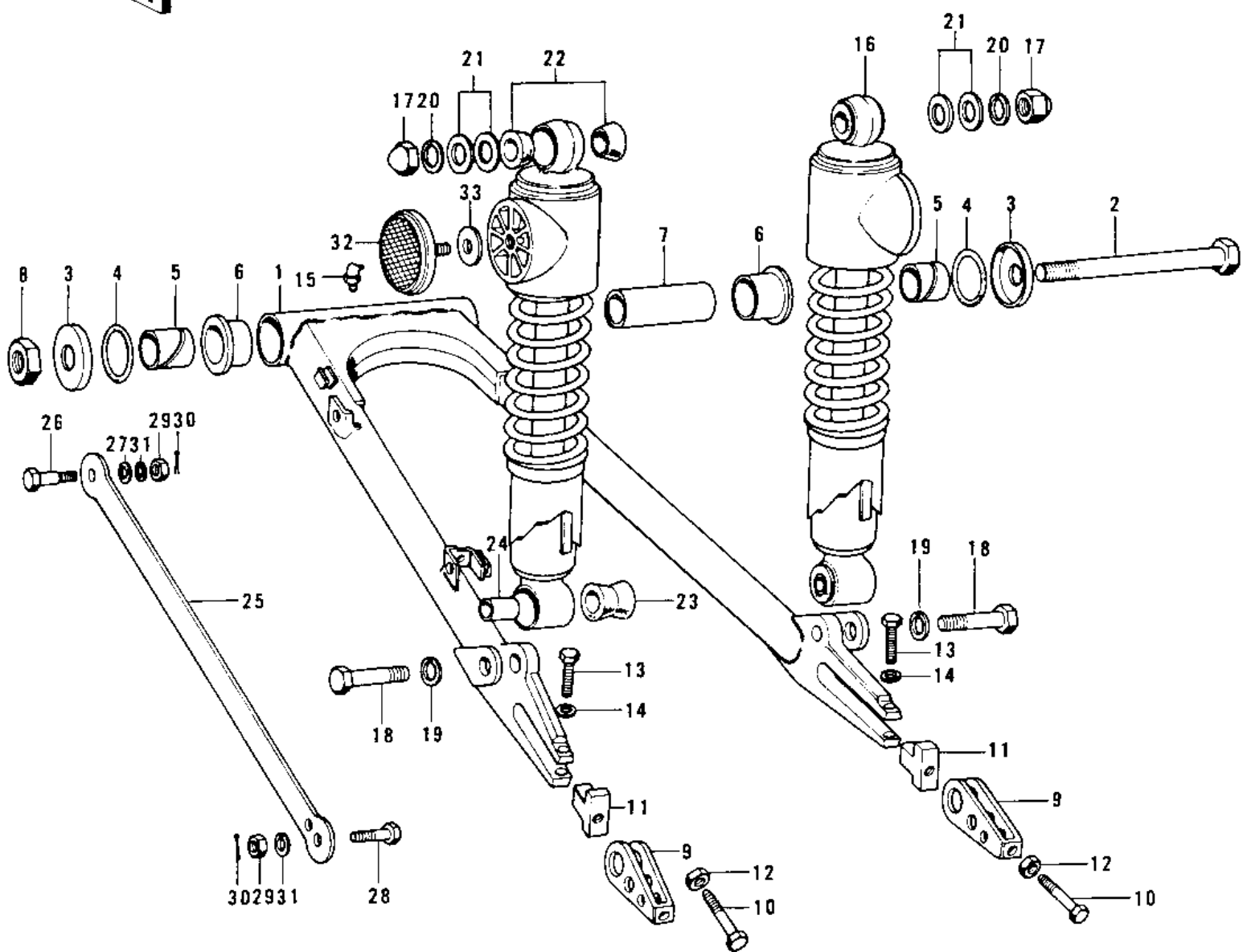


1975 Z1 PARTS DIAGRAM

SWING ARM/SHOCK ABSORBERS



1975 Z1 PARTS LIST

SWING ARM/SHOCK ABSORBERS

ITEM NAME	PART NUMBER	QUANTITY
ARM,SWING (Ref # 1)	33001-046	
SHAFT,SWING ARM PIVOT (Ref # 2)	33032-036	
CAP,SWING ARM (Ref # 3)	33035-007	
"0" RING,30MM (Ref # 4)	671B2530	
SLEEVE SWING ARM (Ref # 5)	33034-009	
BUSHING-SWING ARM (Ref # 6)	33033-009	
COLLAR,SWING ARM (Ref # 7)	33036-005	
NUT-SELF LOCKING (Ref # 8)	92019-012	
ADJUSTER SET,CHAIN (Ref # 9)	33043-005	
ADJUSTER,CHAIN D=10MM (Ref # 9)	33040-063	
ADJUSTER,CHAIN (Ref # 9)	33040-066	
BOLT,8X50 (Ref # 10)	92001-1399	
BOLT-CHN ADJUST 10MM (Ref # 10)	92001-143	
STOPPER,CHAIN ADJUST (Ref # 11)	33044-001	
NUT 8MM (Ref # 12)	312B0800	
NUT 10MM (Ref # 12)	315B1000	
BOLT (Ref # 13)	92001-1578	
WASHER SPRING 8MM (Ref # 14)	461F0800	
GREASE NIPPLE (Ref # 15)	92005-002	
SHOCK ABSBR RR (Ref # 16)	45014-072	
NUT 12MM (Ref # 17)	92020-014	
BOLT HEX HEAD 10X35 (Ref # 18)	113N1035	
WASHER SPRING 10MM (Ref # 19)	461F1000	
WASHER SPRING 12MM (Ref # 20)	461F1200	
WASHER PLAIN 12MM (Ref # 21)	410B1200	
BUSH SHCK ABS RUBBER (Ref # 22)	45017-001	
BUSHING,SHCK ABSORBER (Ref # 23)	45017-011	
BUSH SHCK ABS PVT SFT (Ref # 24)	45016-003	
TORQUE LINK,RR BRAKE (Ref # 25)	43007-032	

1975 Z1 PARTS LIST

SWING ARM/SHOCK ABSORBERS

ITEM NAME	PART NUMBER	QUANTITY
BOLT TORQUE LINK FITT (Ref # 26)	92003-103	
WASHER PLAIN 10MM (Ref # 27)	411B1000	
BOLT,TORQUE LINK (Ref # 28)	92003-147	
BOLT,TORQUE LINK (Ref # 28)	92003-147	
NUT,10MM (Ref # 29)	314B1000	
PIN,SNAP (Ref # 30)	554A0800	
WASHER SPRING 10MM (Ref # 31)	461F1000	
REFLECTOR-REFLEX,REAR (Ref # 32)	28012-008	
DAMPER RUBBER,REFLECT (Ref # 33)	92094-011	