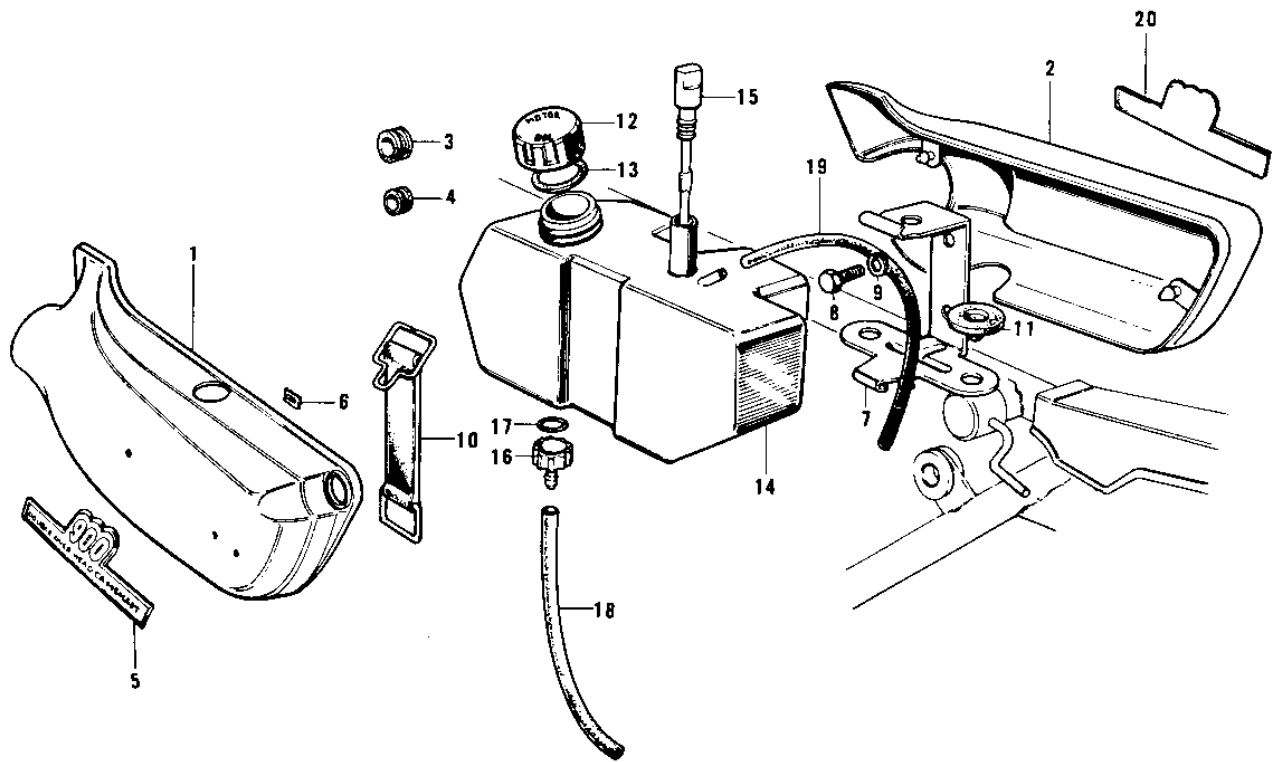


1973 Z1 PARTS DIAGRAM

SIDE COVERS/OIL TANK



1973 Z1 PARTS LIST

SIDE COVERS/OIL TANK

| ITEM NAME | PART NUMBER | QUANTITY |
|---------------------------------|--------------|----------|
| COVER,L.H SIDE,C.BRWN (Ref # 1) | 36001-036-96 | 1 |
| COVER,L.H SIDE,ORANGE (Ref # 1) | 36001-036-2E | 1 |
| COVER,L.H SIDE,YELLOW (Ref # 1) | 36001-036-2F | 1 |
| COVER,L.H SIDE,C.RED (Ref # 1) | 36001-036-2R | 1 |
| COVER,L.H SIDE,C.BLUE (Ref # 1) | 36001-036-2S | 1 |
| COVER,R.H SIDE,C.BRWN (Ref # 2) | 36007-030-96 | 1 |
| COVER,RH SIDE,ORANGE (Ref # 2) | 36007-030-2E | 1 |
| COVER,RH SIDE,YELLOW (Ref # 2) | 36007-030-2F | 1 |
| COVER,RH SIDE,C.RED (Ref # 2) | 36007-030-2R | 1 |
| COVER,RH SIDE,C.BLUE (Ref # 2) | 36007-030-2S | 1 |
| GROMMET (Ref # 3) | 92071-056 | 5 |
| GROMMET,SIDE COVER (Ref # 4) | 92071-064 | 1 |
| EMBLEM,SIDE COVER (Ref # 5) | 56018-139 | 1 |
| EMBLEM,L.H SIDE COVER (Ref # 5) | 56018-197 | 1 |
| NUT,LOCK,3MM (Ref # 6) | 92018-005 | 6 |
| NUT,LOCK,3MM (Ref # 6) | 92018-005 | 6 |
| BRACKET,OIL TANK (Ref # 7) | 32131-001 | 1 |
| BOLT HEX HEAD 6X12 (Ref # 8) | 116B0612 | 2 |
| WASHER SPRING 6MM (Ref # 9) | 461F0600 | 2 |
| BAND,OIL TANK (Ref # 10) | 92072-045 | 1 |
| DAMPER RUBBER (Ref # 11) | 92075-078 | 3 |
| CAP-OIL TANK (Ref # 12) | 52003-020 | 1 |
| GASKET-OIL TANK (Ref # 13) | 92065-086 | 1 |
| TANK,OIL (Ref # 14) | 52001-031 | 1 |
| GAUGE,OIL LEVEL (Ref # 15) | 52005-005 | 1 |
| FILTER-OIL (Ref # 16) | 52020-001 | 1 |
| "O" RING,15MM (Ref # 17) | 670B2015 | 1 |
| PIPE-OIL (Ref # 18) | 92059-072 | 1 |
| PIPE,OIL TANK (Ref # 19) | 92059-057 | 1 |