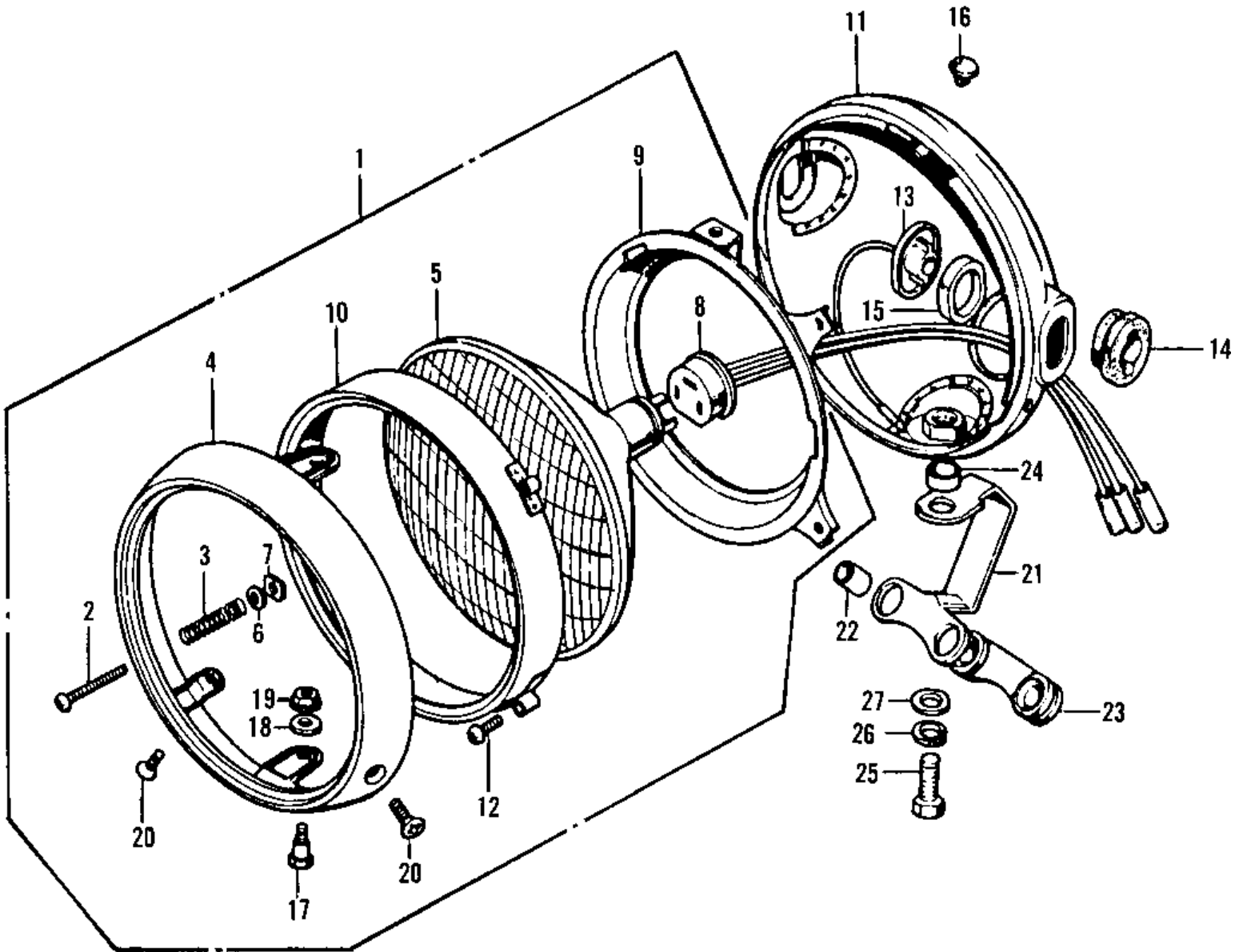


1975 Z1 PARTS DIAGRAM

HEADLIGHT



1975 Z1 PARTS LIST

HEADLIGHT

ITEM NAME	PART NUMBER	QUANTITY
LAMP UNIT,HEAD (Ref # 1)	23003-017	
SCREW FORCUS ADJUST (Ref # 2)	23019-021	
SPRING FOCUS ADJUST (Ref # 3)	23014-005	
RIM,HEAD LAMP (Ref # 4)	23006-038	
SEALD BEAM UNIT (Ref # 5)	23007-041	
WASHER (Ref # 6)	23021-004	
NUT,4MM (Ref # 7)	23020-018	
SOCKET ASSY,HEAD LAMP (Ref # 8)	23008-037	
RING,HEAD LAMP MOUNT (Ref # 9)	23074-001	
RING,HEAD LAMP MOUNT (Ref # 10)	23072-001	
BODY-COMP-HEAD LAMP (Ref # 11)	23005-1015-21	
SCREW PAN HEAD 3X12 (Ref # 12)	220B0312A	
COLLAR (Ref # 13)	23076-005	
DAMPER RUBBER A (Ref # 14)	23066-001	
DAMPER RUBBER (Ref # 14)	23066-015	
DAMPER RUBBER (Ref # 15)	23066-005	
DAMPER RUBBER (Ref # 15)	23066-016	
PLUG REAR FENDER RUBB (Ref # 16)	92074-006	
SCREW-PAN HEAD,5X12 (Ref # 17)	23019-023	
WASHER-PLAIN,5MM (Ref # 18)	23021-012	
NUT,HEAD LAMP RIM FIT (Ref # 19)	23020-023	
SCREW,PAN HEAD,5X14 (Ref # 20)	23019-022	
BRACKET,HEAD LAMP (Ref # 21)	23064-009	
COLLAR,REAR FENDER (Ref # 22)	92027-162	
COLLAR (Ref # 22)	92027-241	
DAMPER RUBBER,HD LAMP (Ref # 23)	92075-127	
COLLER,HEAD LAMP (Ref # 24)	92027-167	
BOLT,HEX HEAD,8X18 (Ref # 25)	110B0818	
WASHER SPRING 8MM (Ref # 26)	461F0800	

1975 Z1 PARTS LIST

HEADLIGHT

ITEM NAME	PART NUMBER	QUANTITY
WASHER PLAIN 8MM (Ref # 27)	411B0800	