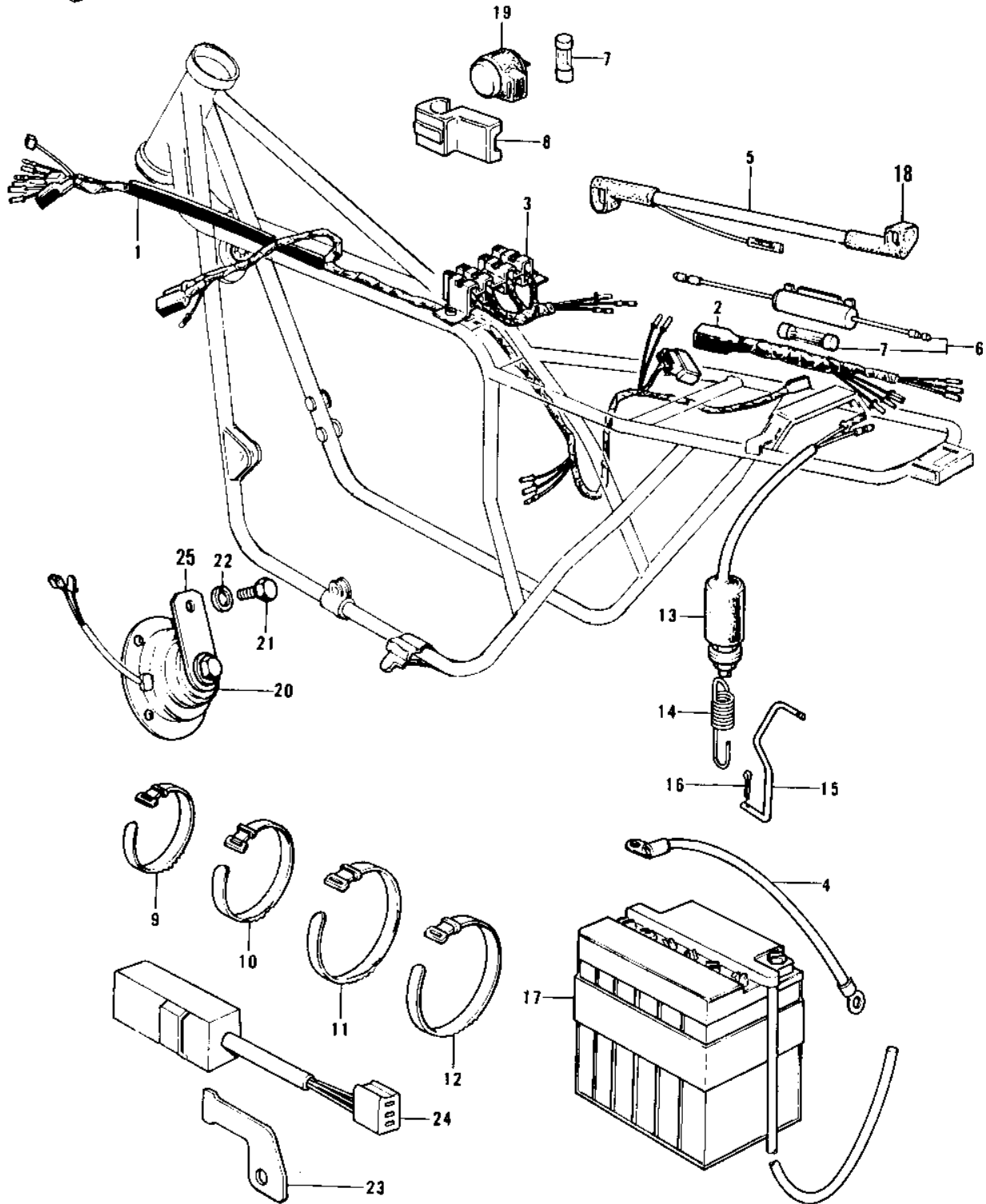


# 1973 Z1 PARTS DIAGRAM

## CHASSIS ELECTRICAL EQUIPMENT



# 1973 Z1 PARTS LIST

## CHASSIS ELECTRICAL EQUIPMENT

ITEM NAME	PART NUMBER	QUANTITY
BAND, LONG (Ref # 11)	92072-032	5
SWITCH-BRAKE LAMP (Ref # 11)	27010-018	1
BRACKET, HORN (Ref # 25)	27038-002	1