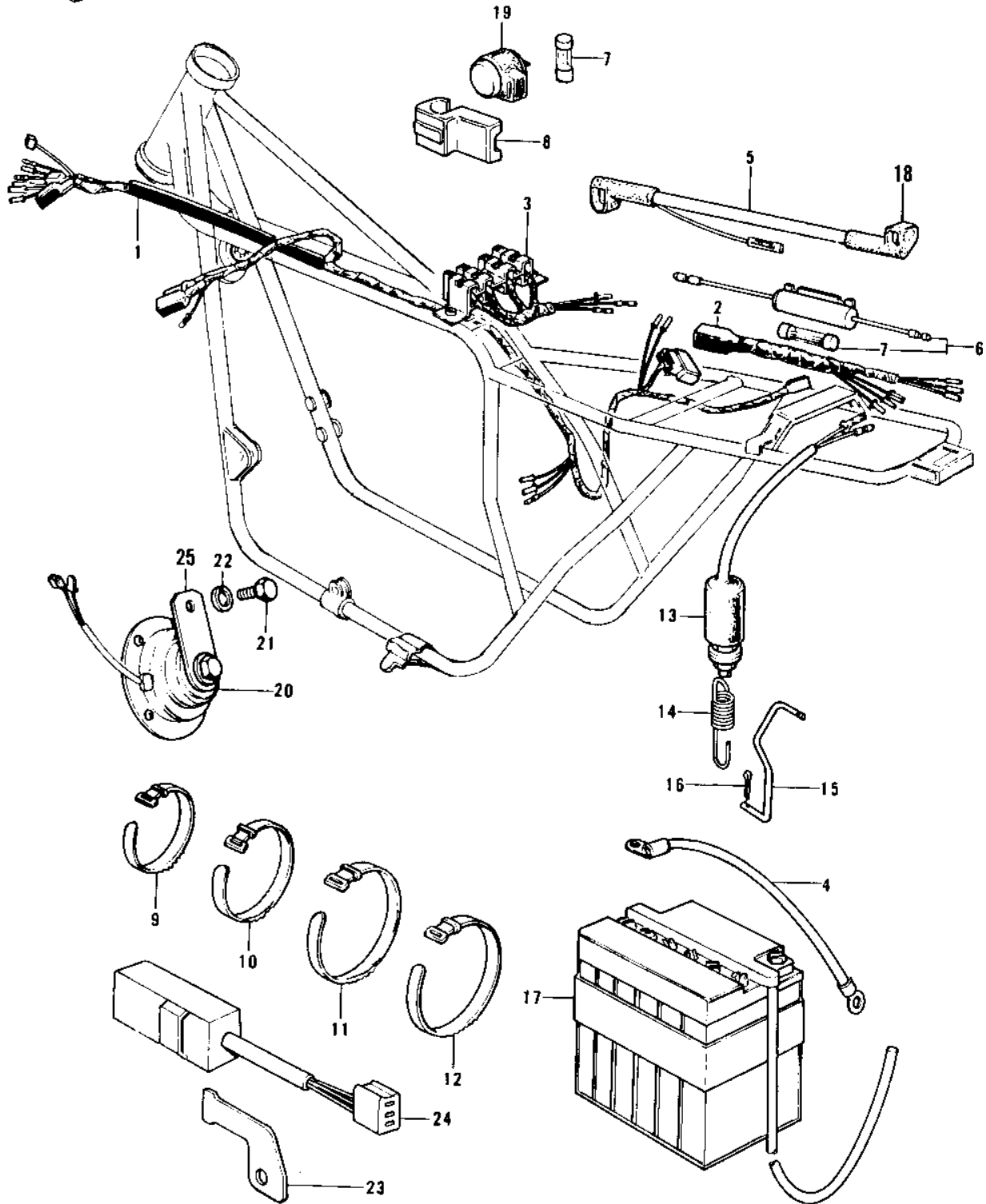


1974 Z1 PARTS DIAGRAM

CHASSIS ELECTRICAL EQUIPMENT



1974 Z1 PARTS LIST

CHASSIS ELECTRICAL EQUIPMENT

ITEM NAME	PART NUMBER	QUANTITY
BAND, LONG (Ref # 11)	92072-032	
SWITCH-BRAKE LAMP (Ref # 11)	27010-018	
BRACKET, HORN (Ref # 25)	27038-002	