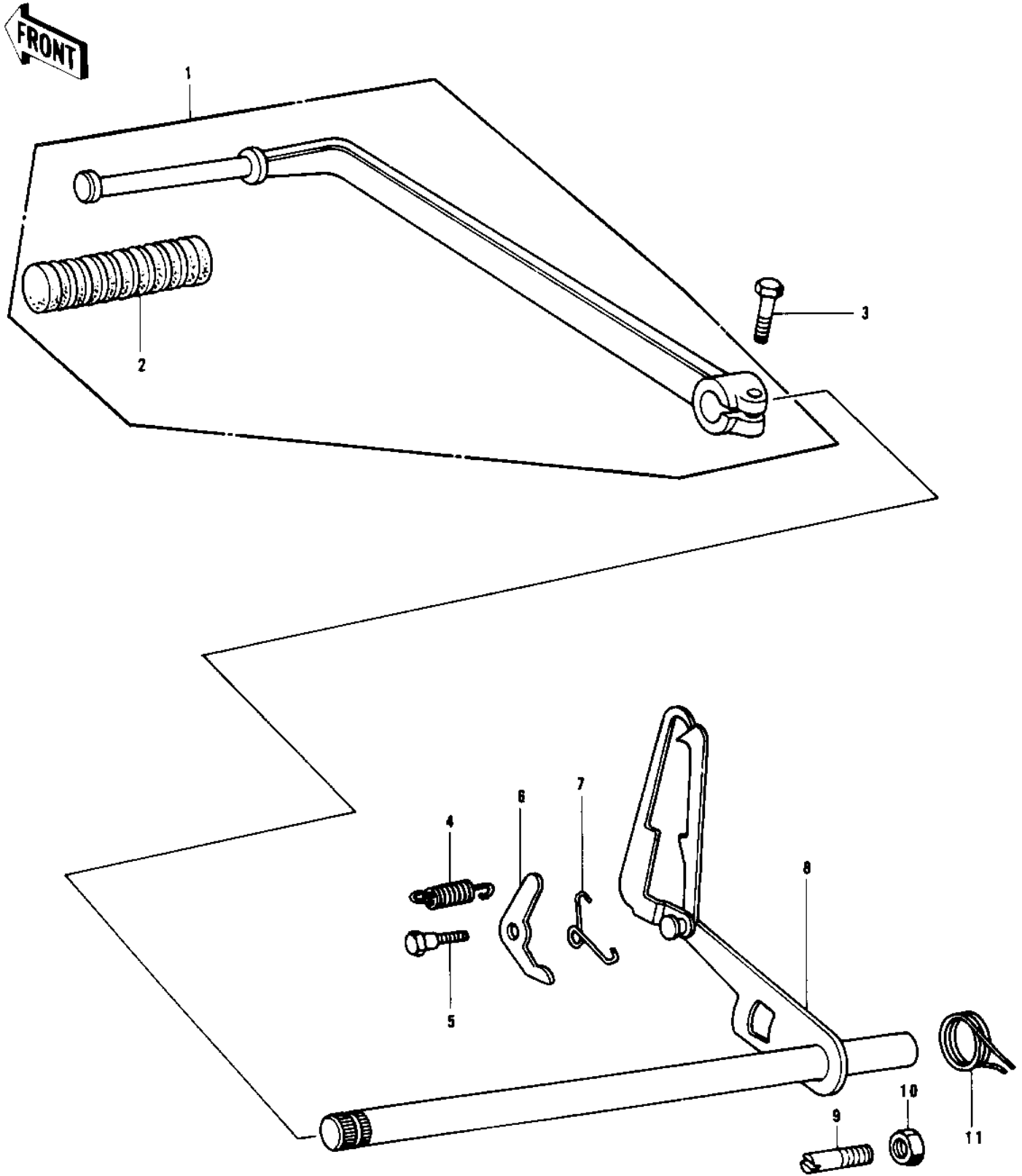


1978 KZ1000 LTD PARTS DIAGRAM

GEAR CHANGE MECHANISM ('77-'78 B1/B2)



1978 KZ1000 LTD PARTS LIST

GEAR CHANGE MECHANISM ('77-'78 B1/B2)

| ITEM NAME | PART NUMBER | QUANTITY |
|---------------------------------|-------------|----------|
| LEVER-ASSY-CHANGE (Ref # 1) | 13242-1100 | 1 |
| DAMPER,CHANGE PEDAL (Ref # 2) | 92160-1036 | 1 |
| BOLT-UPSET (Ref # 3) | 112N0620 | 1 |
| SPRING CHNG DRUM LEV (Ref # 4) | 92081-051 | 1 |
| BOLT,CHANGE DRUM LEVE (Ref # 5) | 92150-1450 | 1 |
| LEVER,GEAR CHNG DRUM (Ref # 6) | 13168-024 | 1 |
| SPRING,KICK PAWL (Ref # 7) | 92083-018 | 1 |
| LEVER ASSY GEAR CHNG (Ref # 8) | 13161-029 | 1 |
| PIN CHANGE PEDAL SPRG (Ref # 9) | 92043-057 | 1 |
| NUT 8MM (Ref # 10) | 312B0800 | 1 |
| SPRING,CHG PEDL RTRN (Ref # 11) | 92083-028 | 1 |