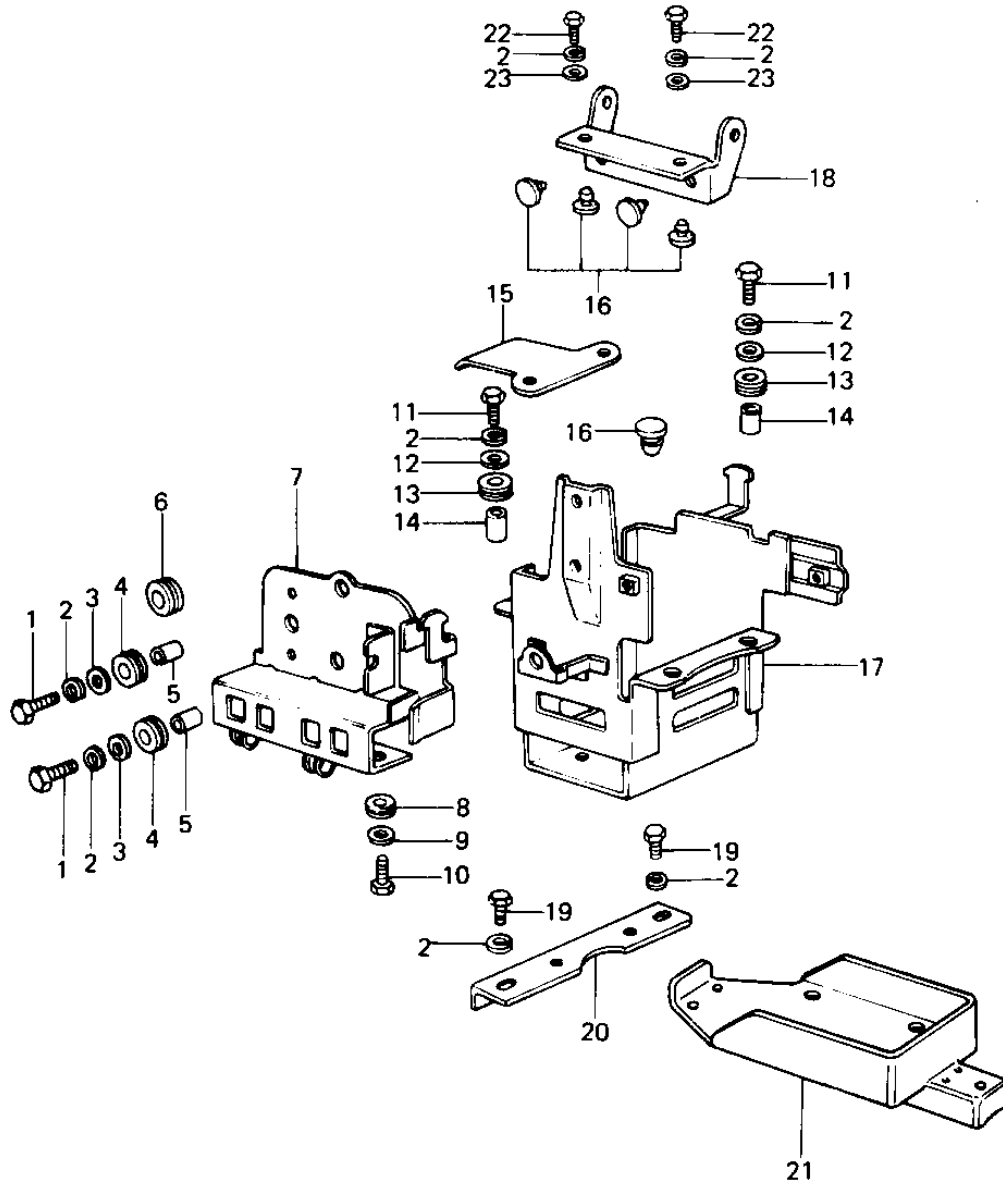


# 1977 KZ1000 LTD PARTS DIAGRAM

BATTERY CASE/TOOL CASE ('77-'78 B1/B2)



## 1977 KZ1000 LTD PARTS LIST

BATTERY CASE/TOOL CASE ('77-'78 B1/B2)

| ITEM NAME                        | PART NUMBER | QUANTITY |
|----------------------------------|-------------|----------|
| BOLT-UPSET,6X20 (Ref # 1)        | 112G0620    | 2        |
| WASHER SPRING 6MM (Ref # 2)      | 461F0600    | 10       |
| WASHER 6.5X22X1.6T (Ref # 3)     | 92022-237   | 2        |
| DAMPER RUBBER (Ref # 4)          | 92075-149   | 2        |
| COLLAR (Ref # 5)                 | 92027-165   | 2        |
| DAMPER RUBBER (Ref # 6)          | 92075-051   | 1        |
| BRACKET,BASE (Ref # 7)           | 32129-013   | 1        |
| DAMPER RUBBER,BATTERY (Ref # 8)  | 92075-161   | 2        |
| WASHER PLAIN 8MM (Ref # 9)       | 410B0800    | 2        |
| BOLT,HEAX HEAD,6X14 (Ref # 10)   | 92001-115   | 2        |
| BOLT-UPSET (Ref # 11)            | 112G0630    | 4        |
| WASHER,6.5X16X2 (Ref # 12)       | 92022-1565  | 4        |
| DAMPER RUBBER,BTT CAS (Ref # 13) | 92075-146   | 4        |
| COLLAR 6.8X10X14.5 (Ref # 14)    | 92027-156   | 4        |
| STAY,AIR CLEANER (Ref # 15)      | 32105-007   | 1        |
| DAMPER RUBBER (Ref # 16)         | 92075-078   | 1        |
| CASE,BATTERY (Ref # 17)          | 32097-044   | 1        |
| BAND,BATTERY (Ref # 18)          | 32100-100   | 1        |
| BOLT HEX HEAD 6X16 (Ref # 19)    | 110B0616    | 2        |
| PLATE (Ref # 20)                 | 32113-004   | 1        |
| CASE,TOOL (Ref # 21)             | 32098-1001  | 1        |
| BOLT-UPSET,6X12 (Ref # 22)       | 112G0612    | 2        |
| WASHER PLAIN 6MM (Ref # 23)      | 411B0600    | 2        |