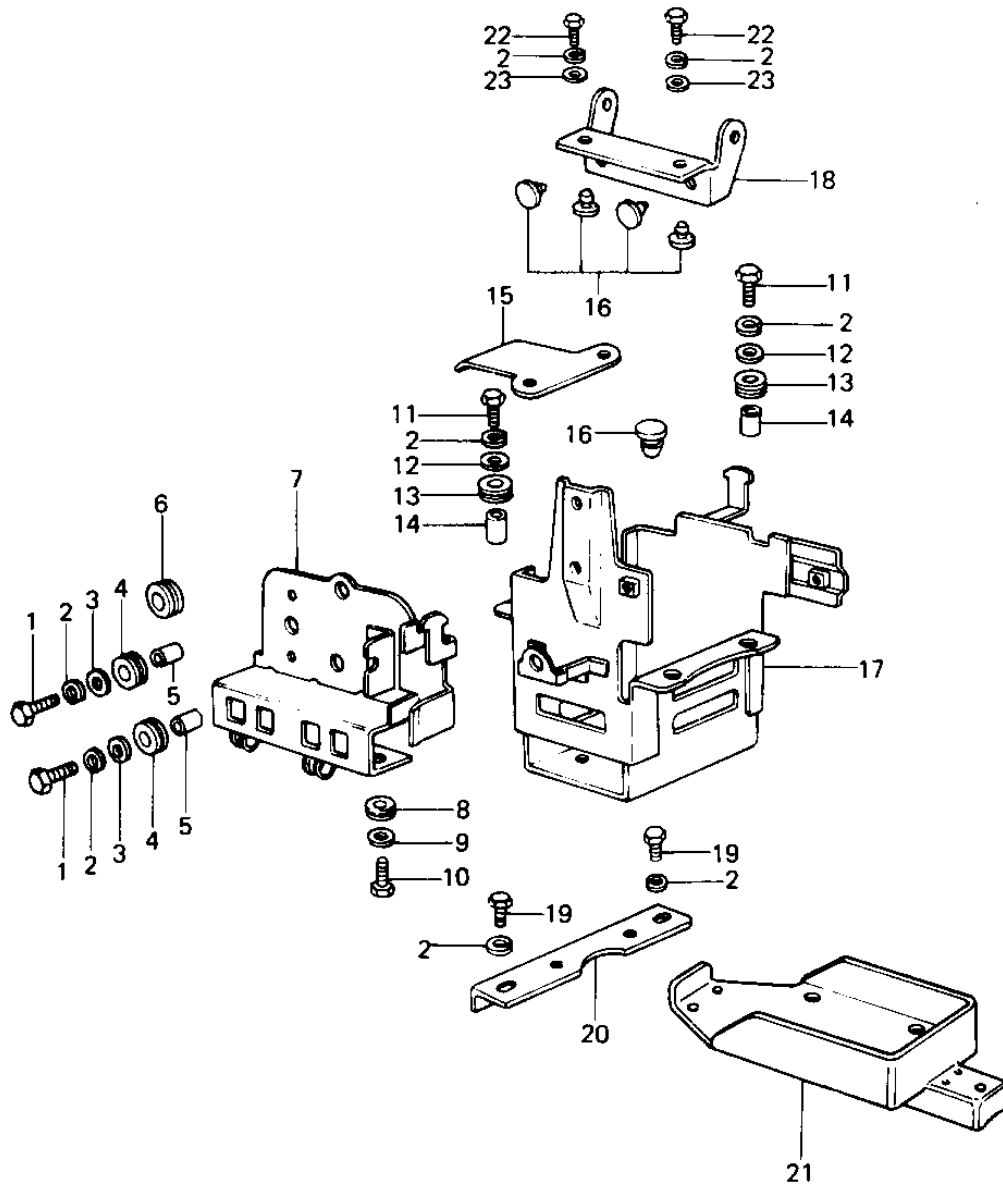


# 1978 KZ1000 LTD PARTS DIAGRAM

BATTERY CASE/TOOL CASE ('77-'78 B1/B2)



# 1978 KZ1000 LTD PARTS LIST

BATTERY CASE/TOOL CASE ('77-'78 B1/B2)

ITEM NAME	PART NUMBER	QUANTITY
BOLT-UPSET,6X20 (Ref # 1)	112G0620	2
WASHER SPRING 6MM (Ref # 2)	461F0600	10
WASHER 6.5X22X1.6T (Ref # 3)	92022-237	2
DAMPER RUBBER (Ref # 4)	92075-149	2
COLLAR (Ref # 5)	92027-165	2
DAMPER RUBBER (Ref # 6)	92075-051	1
BRACKET,BASE (Ref # 7)	32129-013	1
DAMPER RUBBER,BATTERY (Ref # 8)	92075-161	2
WASHER PLAIN 8MM (Ref # 9)	410B0800	2
BOLT,HEAX HEAD,6X14 (Ref # 10)	92001-115	2
BOLT-UPSET (Ref # 11)	112G0630	4
WASHER,6.5X16X2 (Ref # 12)	92022-1565	4
DAMPER RUBBER,BTT CAS (Ref # 13)	92075-146	4
COLLAR 6.8X10X14.5 (Ref # 14)	92027-156	4
STAY,AIR CLEANER (Ref # 15)	32105-007	1
DAMPER RUBBER (Ref # 16)	92075-078	1
CASE,BATTERY (Ref # 17)	32097-044	1
BAND,BATTERY (Ref # 18)	32100-100	1
BOLT HEX HEAD 6X16 (Ref # 19)	110B0616	2
PLATE (Ref # 20)	32113-004	1
CASE,TOOL (Ref # 21)	32098-1001	1
BOLT-UPSET,6X12 (Ref # 22)	112G0612	2
WASHER PLAIN 6MM (Ref # 23)	411B0600	2