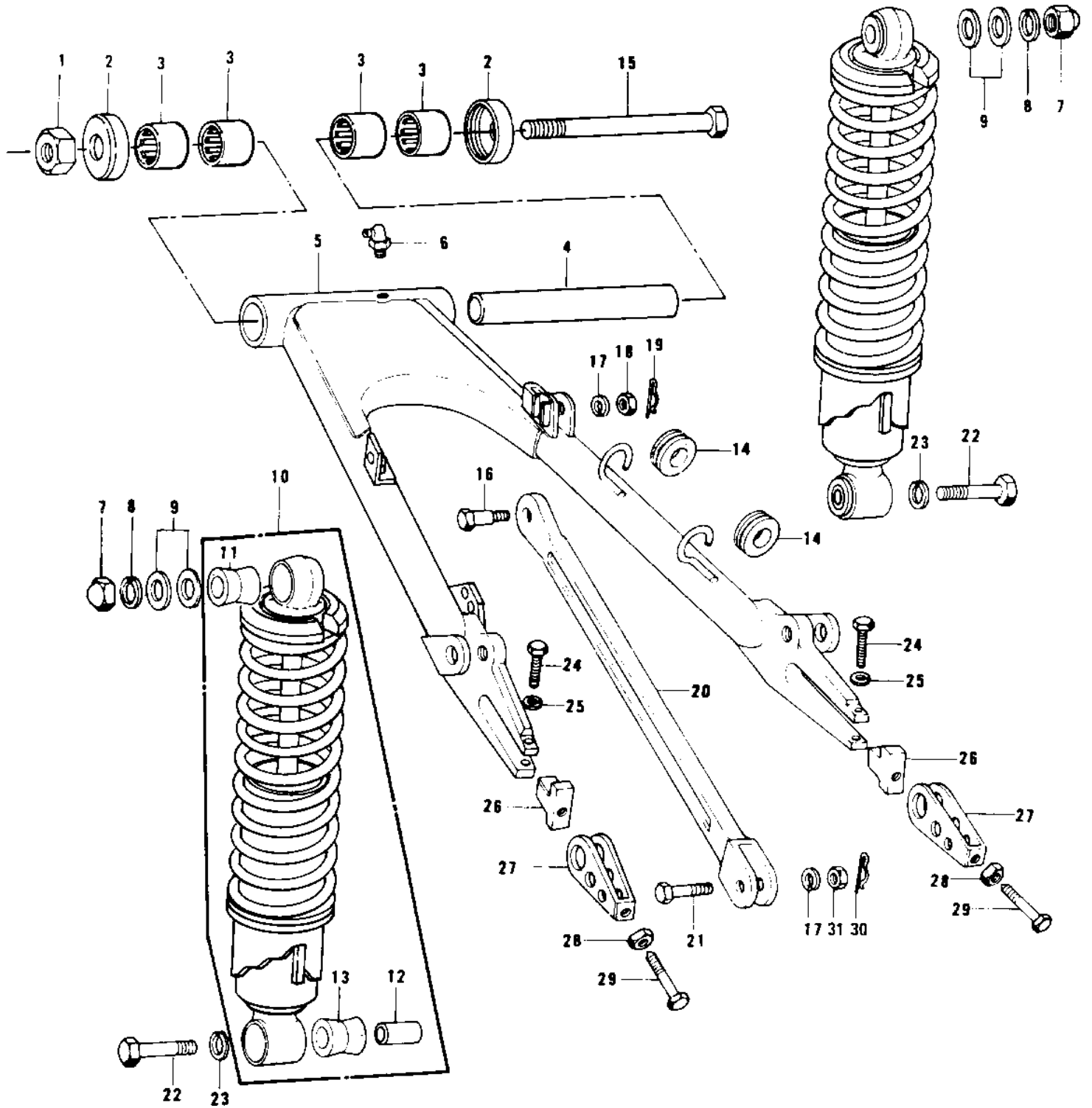


1978 KZ1000 LTD PARTS DIAGRAM

SWING ARM/SHOCK ABSORBERS ('77-'78 B1/B2)



1978 KZ1000 LTD PARTS LIST

SWING ARM/SHOCK ABSORBERS ('77-'78 B1/B2)

ITEM NAME	PART NUMBER	QUANTITY
NUT-SELF LOCKING (Ref # 1)	92019-012	1
CAP,SWING ARM (Ref # 2)	33035-009	2
BEARING-NEEDLE,HK2216 (Ref # 3)	92046-1115	4
SLEEVE,SWING ARM (Ref # 4)	42036-1011	2
SWING ARM (Ref # 5)	33001-1002	1
GREASE NIPPLE (Ref # 6)	92005-002	1
NUT 12MM (Ref # 7)	92020-014	2
WASHER SPRING 12MM (Ref # 8)	461F1200	2
WASHER PLAIN 12MM (Ref # 9)	410B1200	4
SHOCK ABSBR RR (Ref # 10)	45014-1013	2
BUSHING,SHCK ABS RUB (Ref # 11)	45017-018	2
BUSH SHCK ABS PVT SFT (Ref # 12)	45016-003	2
BUSHING,SHCK ABSORBER (Ref # 13)	45017-011	2
DAMPER RUBBER (Ref # 14)	43064-007	2
SHAFT,SWING ARM PIVOT (Ref # 15)	33032-036	1
BOLT,HEX HEAD,10X39 (Ref # 16)	92003-218	1
WASHER SPRING 10MM (Ref # 17)	461F1000	2
NUT,10MM (Ref # 18)	314B1000	1
PIN,SNAP (Ref # 19)	554A0800	1
TORQUE LINK,RR BRAKE (Ref # 20)	43007-1001	1
BOLT,RR TORQUE LINK (Ref # 21)	92003-197	1
BOLT HEX HEAD 10X40 (Ref # 22)	113N1040	2
WASHER SPRING 10MM (Ref # 23)	461F1000	2
BOLT (Ref # 24)	92001-1578	2
WASHER SPRING 8MM (Ref # 25)	461F0800	2
STOPPER,CHAIN ADJUST (Ref # 26)	33044-001	2
ADJUSTER,CHAIN (Ref # 27)	33040-066	2
NUT 10MM (Ref # 28)	315B1000	2
BOLT-CHN ADJUST 10MM (Ref # 29)	92001-143	2

1978 KZ1000 LTD PARTS LIST

SWING ARM/SHOCK ABSORBERS ('77-'78 B1/B2)

ITEM NAME	PART NUMBER	QUANTITY
PIN COTTER 3.0X25 (Ref # 30)	550D3025	1
NUT,12MM (Ref # 31)	42045-021	1