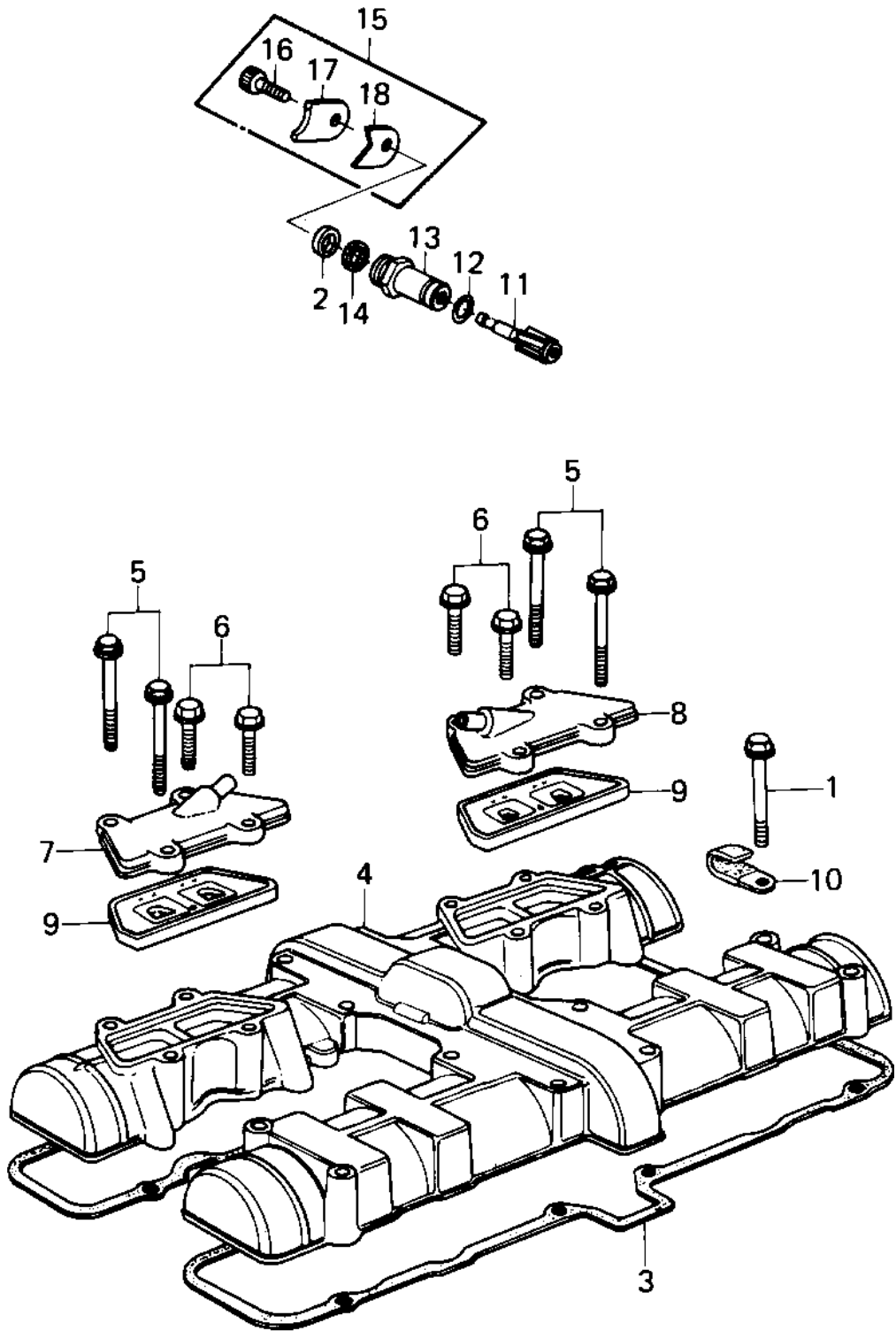


1980 LTD PARTS DIAGRAM

CYLINDER HEAD COVER (79-'80 B3/B4)



1980 LTD PARTS LIST

CYLINDER HEAD COVER ('79-'80 B3/B4)

ITEM NAME	PART NUMBER	QUANTITY
BOLT,HEX HEAD,6X45 (Ref # 1)	92003-092	12
GASKET,TACHOMETER GER (Ref # 2)	92065-103	1
GASKET,CYL HEAD COVER (Ref # 3)	11009-1050	1
COVER,CYLINDER HEAD (Ref # 4)	14025-1127	1
BOLT,HEX HEAD,6X66 (Ref # 5)	92001-1161	4
BOLT,HEX HEAD,6X66 (Ref # 5)	92001-1161	4
BOLT,HEX HEAD,6X20 (Ref # 6)	92001-1100	4
CAP ASSY,L.H (Ref # 7)	14075-5006	1
CAP ASSY,R.H (Ref # 8)	14075-5005	1
VALVE ASSY REED (Ref # 9)	12021-1003	2
CLAMP,WIRING HARNESS (Ref # 10)	21126-008	2
CLAMP,WIRING HARNESS (Ref # 10)	21126-008	2
GEAR,TACHOMETER,10T (Ref # 11)	13223-011	1
RING-O,10MM (Ref # 12)	92055-1149	1
GUIDE,TACHOMETER GEAR (Ref # 13)	92087-010	1
OIL SEAL (Ref # 14)	92050-075	1
HOLDER SET,TACHOMETER (Ref # 15)	13091-5001	1
.BOLT,6X14 (Ref # 16)	120P0614	1
.HOLDER,TACHOMETER2.3T (Ref # 17)	13091-1008	1
.HOLDER,TACHOMETR,3.2T (Ref # 18)	13091-1009	1