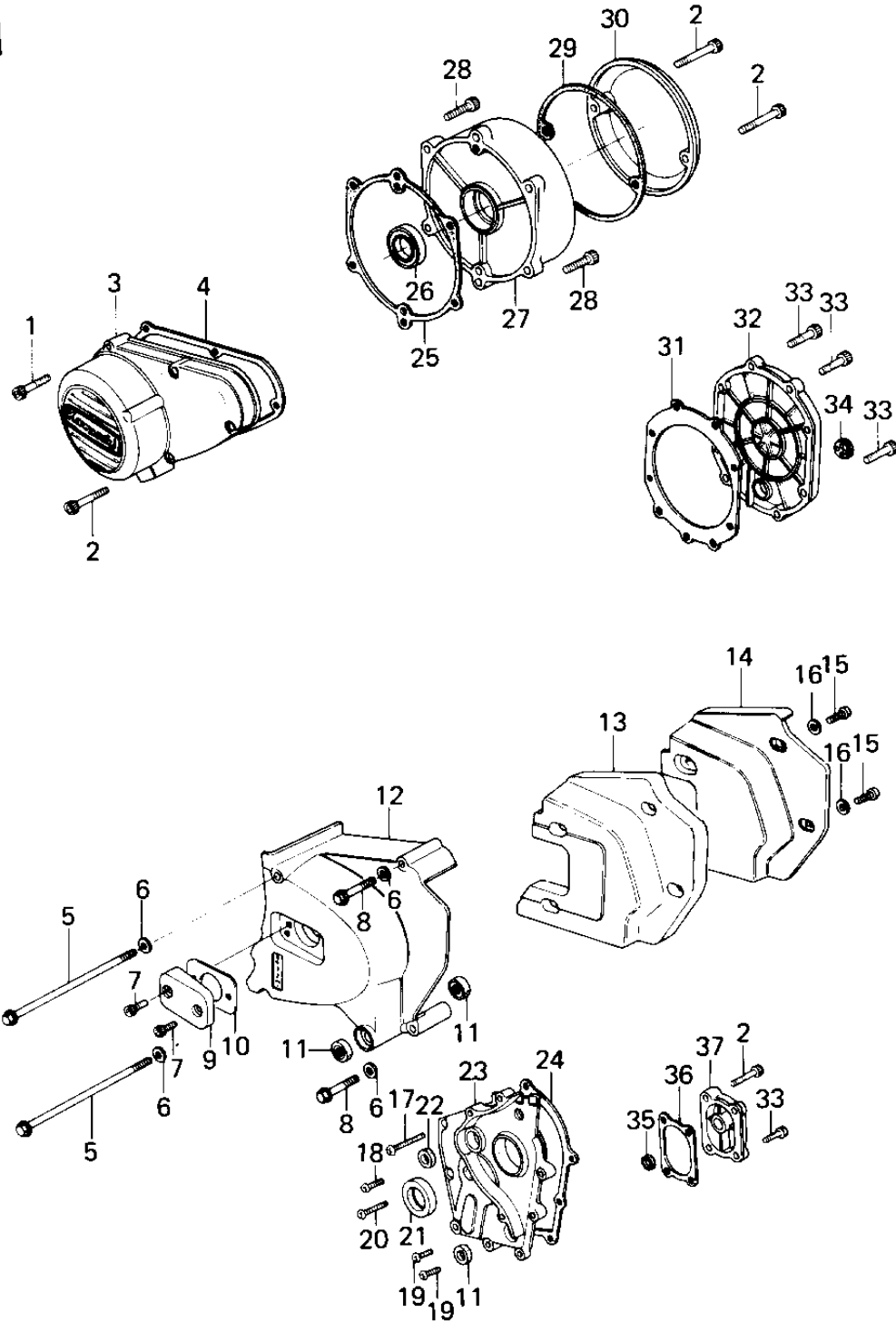


1980 LTD PARTS DIAGRAM

ENGINE COVERS (79-'80 B3/B4)



1980 LTD PARTS LIST

ENGINE COVERS ('79-'80 B3/B4)

ITEM NAME	PART NUMBER	QUANTITY
BOLT,SOCKET,6X30 (Ref # 1)	120P0630	6
BOLT,SOCKET,6X40 (Ref # 2)	120P0640	6
COVER,GNERATOR (Ref # 3)	14031-1026	1
COVER,GENERATOR (Ref # 3)	14031-1015	1
GASKET,GENERATOR COVE (Ref # 4)	11060-1075	1
BOLT-UPSET,6X125 (Ref # 5)	112G06125	2
WASHER PLAIN 6MM (Ref # 6)	410B0600	4
BOLT,SOCKET,6X16 (Ref # 7)	120P0616	2
BOLT,6X14 (Ref # 7)	120P0614	2
BOLT,6X70 (Ref # 8)	110G0670	2
COVER,CLUTCH ADJUSTIN (Ref # 9)	14025-1038	1
GASKET,CLUTCH ADJ COV (Ref # 10)	11009-1126	1
OIL SEAL SB12205 (Ref # 11)	92049-004	3
COVER,FRONT CHAIN (Ref # 12)	14026-1017	1
ARRESTER,SOUND (Ref # 13)	92075-1064	1
COVER,SOUND ARRESTER (Ref # 14)	14025-1044	1
SCREW PAN HEAD 6X12 (Ref # 15)	220B0612	4
WASHER PLAIN 6MM (Ref # 16)	410B0600	4
SCREW PAN HEAD 6X60 (Ref # 17)	220B0660	1
SCREW PAN HEAD 6X28 (Ref # 18)	220B0628	1
SCREW PAN HEAD 6X22 (Ref # 19)	220B0622	5
SCREW PAN HEAD 6X40 (Ref # 20)	220B0640	2
OIL SEAL SC325210 (Ref # 21)	92050-024	1
OIL SEAL,TC7187 (Ref # 22)	92050-048	1
COVER,TRANSMISSION (Ref # 23)	14025-1106	1
COVER,TRANSMISSION (Ref # 23)	14025-5028	1
GASKET,MISSION COVER (Ref # 24)	14058-004	1
GASKET,TRANSMISSION C (Ref # 24)	11060-1069	1
GASKET,RH ENGINE COVE (Ref # 25)	11060-1071	1

1980 LTD PARTS LIST

ENGINE COVERS ('79-'80 B3/B4)

ITEM NAME	PART NUMBER	QUANTITY
OIL SEAL,S25407R (Ref # 26)	92050-047	1
COVER,R.H ENGINE (Ref # 27)	14032-083	1
BOLT,SOCKET,6X22 (Ref # 28)	120P0622	6
GASKET,POINT CAP (Ref # 29)	14050-006	1
COVER,CONTACT BRAKER (Ref # 30)	14025-1082	1
COVER,CENTACK BREAKER (Ref # 30)	14025-1037	1
GASKET,CLUTCH (Ref # 31)	14046-024	1
COVER,CLUTCH (Ref # 32)	14032-1015	1
BOLT,6X25 (Ref # 33)	120P0625	11
GAUGE,OIL LEVEL (Ref # 34)	52015-004	1
OIL SEAL,SC22325 (Ref # 35)	92049-1048	1
GASKET,KICK COVER (Ref # 36)	14046-025	1
COVER,KICKSTARTER, (Ref # 37)	14032-075-21	1
COVER,KICK SHAFT,BARL (Ref # 37)	14032-075-2H	1