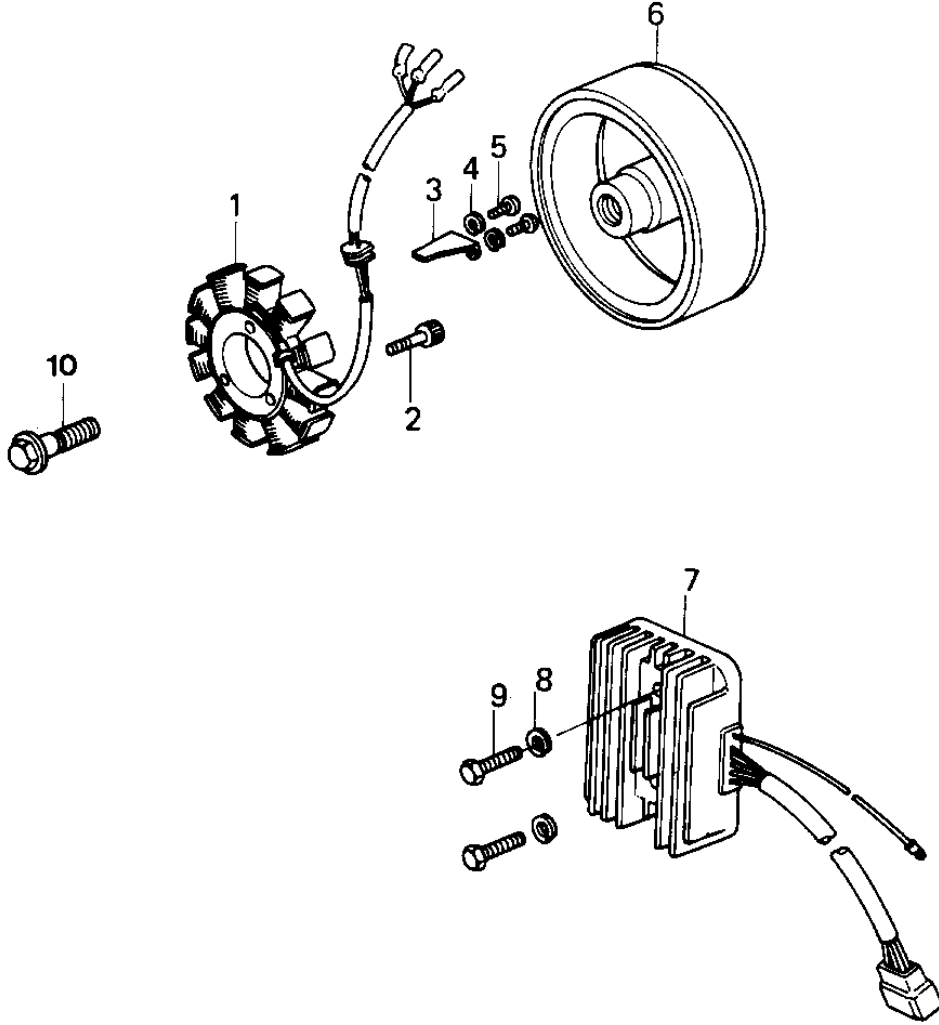


# 1980 LTD PARTS DIAGRAM

GENERATOR/REGULATOR ('79-'80 B3/B4)



# 1980 LTD PARTS LIST

GENERATOR/REGULATOR ('79-'80 B3/B4)

ITEM NAME	PART NUMBER	QUANTITY
STATOR ASSY (Ref # 1)	21003-1015	1
BOLT,SOCKET,5X25 (Ref # 2)	120P0525A	8
CLAMP,GENERATOR WIRE (Ref # 3)	92037-1122	1
CLAMP,GENERATOR WIRE (Ref # 3)	92037-1122	AL
WASHER SPRING 5MM (Ref # 4)	461F0500	2
SCREW PAN HEAD 5X12 (Ref # 5)	220B0512	2
ROTOR (Ref # 6)	21007-1011	1
REGULATOR,VOLTAGE (Ref # 7)	21066-1008	1
WASHER SPRING 6MM (Ref # 8)	461F0600	2
BOLT-UPSET (Ref # 9)	112G0625	2
BOLT,12X40 (Ref # 10)	92001-1146	1