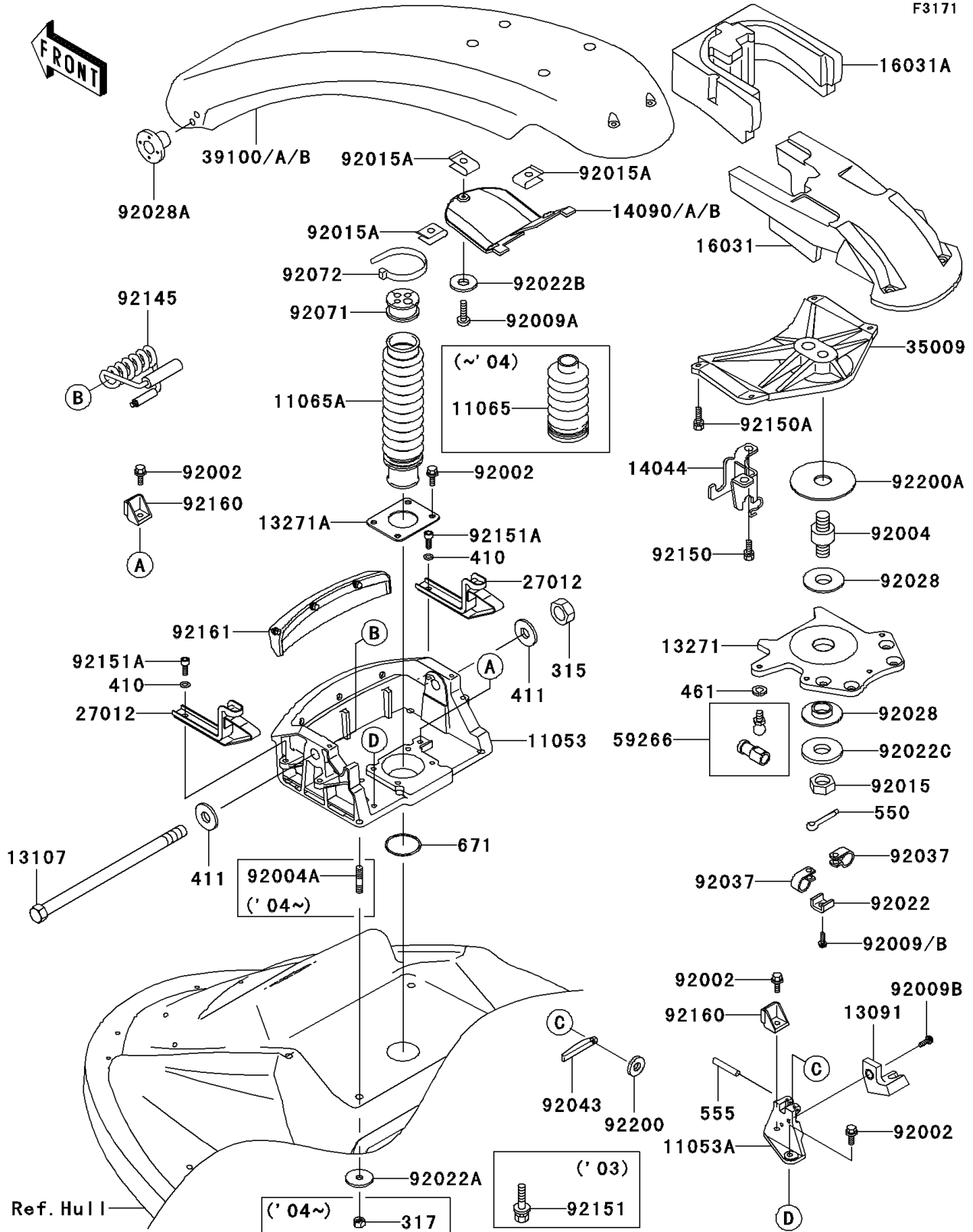


2005 800 SX-R PARTS DIAGRAM

Handle Pole



2005 800 SX-R PARTS LIST

Handle Pole

ITEM NAME	PART NUMBER	QUANTITY
BRACKET (Ref # 11053)	11053-3741	1
BRACKET (Ref # 11053A)	11053-3749	1
CAP (Ref # 11065A)	11065-3726	1
HOLDER (Ref # 13091)	13091-3774	1
SHAFT (Ref # 13107)	13107-3781	1
PLATE (Ref # 13271)	13271-3845	1
PLATE (Ref # 13271A)	13271-3882	1
HOLDER-CABLE (Ref # 14044)	14044-3716	1
COVER,HANDLE POLE,L.GREEN (Ref # 14090B)	14090-3708-777	1
FLOAT,HANDLE POLE (Ref # 16031)	16031-3951	1
FLOAT,HANDLE POLE (Ref # 16031A)	16031-3952	1
HOOK (Ref # 27012)	27012-3850	2
BRACE (Ref # 35009)	35009-3712	1
POLE-COMP-HANDLE,L.GREEN (Ref # 39100B)	39100-3716-777	1
JOINT-BALL (Ref # 59266)	59266-3707	1
BOLT,6X16 (Ref # 92002)	92002-3728	7
STUD (Ref # 92004)	92004-3728	1
STUD,8X25 (Ref # 92004A)	92004-3756	4
SCREW,5X16 (Ref # 92009A)	92009-3797	3
SCREW,5X16 (Ref # 92009B)	92009-3868	2
NUT,CASTLE,18MM (Ref # 92015)	92015-3006	1
NUT,CLIP,5MM (Ref # 92015A)	92015-3830	3
WASHER,CLAMP (Ref # 92022)	92022-3014	1
WASHER,8.5X34X3 (Ref # 92022A)	92022-3746	4
WASHER (Ref # 92022B)	92022-567	3
WASHER (Ref # 92022C)	92022-571	1
BUSHING (Ref # 92028)	92028-3743	2
BUSHING,STEERING (Ref # 92028A)	92028-3752	2
CLAMP,LEAD WIRE (Ref # 92037)	92037-3007	2

2005 800 SX-R PARTS LIST

Handle Pole

ITEM NAME	PART NUMBER	QUANTITY
PIN,STOPPER (Ref # 92043)	92043-3754	1
GROMMET (Ref # 92071)	92071-3788	1
BAND,L=188 (Ref # 92072)	92072-1239	1
SPRING (Ref # 92145)	92145-3720	1
NUT-HEX-FINE,14MM (Ref # 315)	315R1400	1
NUT-HEX-SMALL (Ref # 317)	317R0800	4
WASHER-PLAIN-SMALL,6MM (Ref # 410)	410S0600	4
WASHER-PLAIN,14MM (Ref # 411)	411S1400	2
WASHER-SPRING,6MM (Ref # 461)	461S0600	1
PIN-COTTER,4X40 (Ref # 550)	550S4040	1
PIN-SPRING,3X25 (Ref # 555)	555B0325	1
O RING,40MM (Ref # 671)	671B2540	1
BOLT,6X16 (Ref # 92150)	92150-3714	2
BOLT,6X20 (Ref # 92150A)	92150-3758	4
BOLT,SOCKET,6X16 (Ref # 92151A)	92151-3770	4
DAMPER (Ref # 92160)	92160-3790	2
DAMPER (Ref # 92161)	92161-3743	1
WASHER,3.5X12X1 (Ref # 92200)	92200-3723	1
WASHER,20.5X80X3 (Ref # 92200A)	92200-3725	1