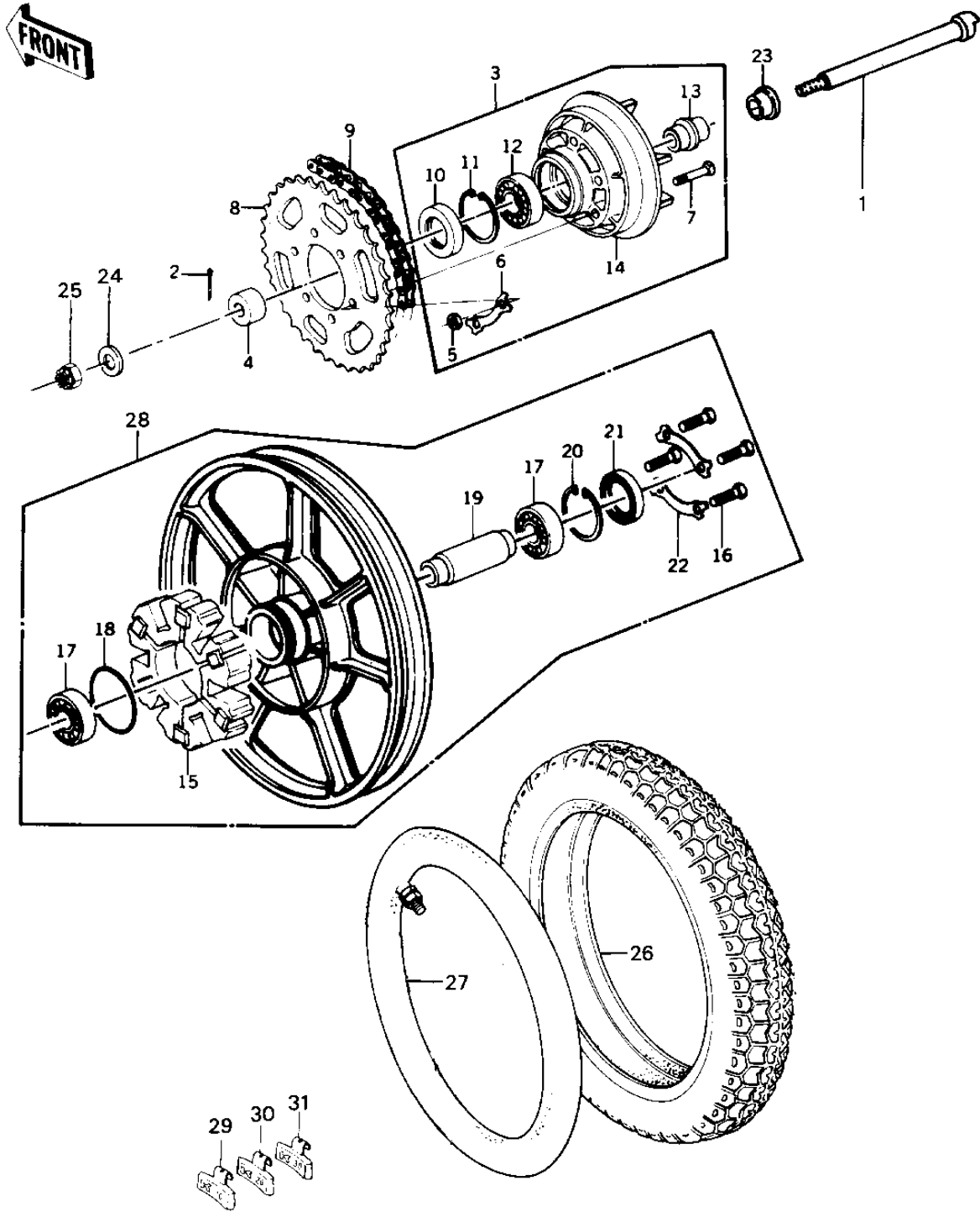


1980 LTD PARTS DIAGRAM

REAR WHEEL/HUB/TIRE/CHAIN ('79-'80 B3/B4)



1980 LTD PARTS LIST

REAR WHEEL/HUB/TIRE/CHAIN ('79-'80 B3/B4)

ITEM NAME	PART NUMBER	QUANTITY
AXLE,REAR (Ref # 1)	42031-034	1
PIN-COTTER,4.0X35 (Ref # 2)	550D4035	1
COUPLING ASSY,RR HUB (Ref # 3)	42008-040	1
COLLAR,REAR AXLE (Ref # 4)	42032-071	1
NUT 10MM (Ref # 5)	42045-005	6
WASHER LOCK (Ref # 6)	92088-007	3
BOLT-REAR SPROCKET (Ref # 7)	92003-087	6
REAR SPROCKET,33T (Ref # 8)	42041-1010	1
DR CHAIN 630X92 (Ref # 9)	92057-107	1
OIL SEAL (Ref # 10)	92050-027	1
CIRCLIP,62M/M (Ref # 11)	92033-1044	1
BALL BEARING,#6206 (Ref # 12)	601B6206	1
SLEEVE,RR HUB COUPLNG (Ref # 13)	42036-033	1
SHOCK DAMPER,REAR HUB (Ref # 15)	42014-033	1
BOLT,HEX HEAD,10X30 (Ref # 16)	92001-1173	4
BEARING,BALL,#6304ZZ (Ref # 17)	601B6304ZZ	2
"0" RING,65MM (Ref # 18)	671B2565	1
COLLAR,RR HUB BEARING (Ref # 19)	42010-040	1
RING,SNAP,56.2M/M (Ref # 20)	92033-1043	1
OIL SEAL WTC35527 (Ref # 21)	92052-006	1
WASHER,LOCK (Ref # 22)	92088-023	2
COLLAR, REAR AXLE (Ref # 23)	92027-1177	1
WASHER,PLAIN,20MM (Ref # 24)	92022-248	1
NUT CASTLE,18MM (Ref # 25)	42045-018	1
TIRE 510-16 MT90 R (Ref # 26)	41021-072	1
TUBE 510-16 (Ref # 27)	K41022-1651	1
SOLID WHEEL ASSY,REAR (Ref # 28)	41073-1043	1
BALANCER-WHEEL,10G (Ref # 29)	41075-1011	AR
BALANCER-WHEEL,20G (Ref # 30)	41075-1012	AR

1980 LTD PARTS LIST

REAR WHEEL/HUB/TIRE/CHAIN ('79-'80 B3/B4)

ITEM NAME	PART NUMBER	QUANTITY
BALANCER-WHEEL,30G (Ref # 31)	41075-1013	AR