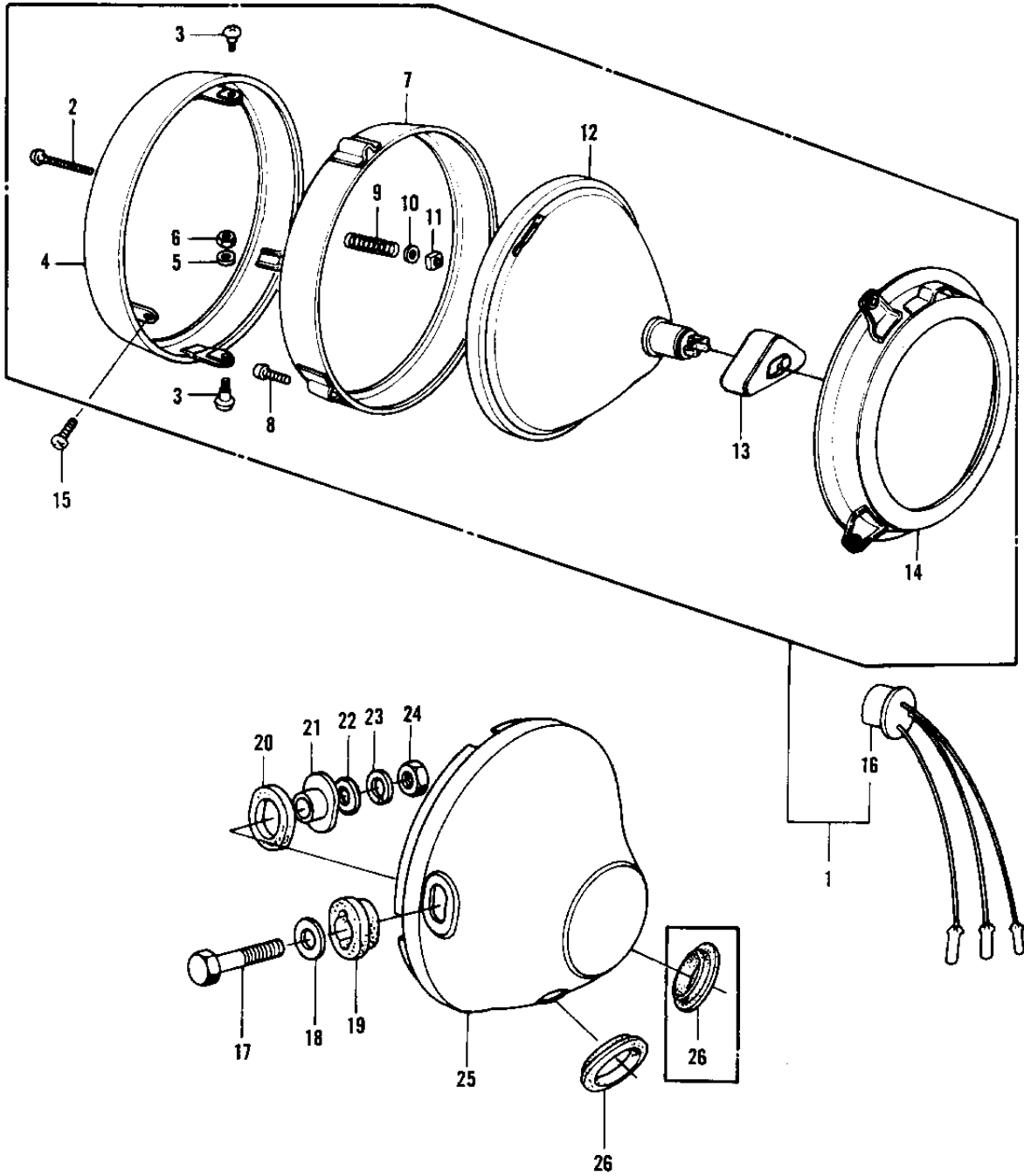


1979 KZ1000 LTD PARTS DIAGRAM

HEADLIGHT (KZ1000-B3)



84

1979 KZ1000 LTD PARTS LIST

HEADLIGHT (KZ1000-B3)

ITEM NAME	PART NUMBER	QUANTITY
LAMP UNIT,HEAD (Ref # 1)	23004-1009	1
.SCREW FORCUS ADJUST (Ref # 2)	23019-021	1
.SCREW-PAN HEAD,5X12 (Ref # 3)	23019-023	2
.RIM,HEAD LAMP (Ref # 4)	23006-038	1
.WASHER-PLAIN,5MM (Ref # 5)	23021-012	2
.NUT,HEAD LAMP RIM FIT (Ref # 6)	23020-023	2
NUT,HEAD LAMP RIM FIT (Ref # 6)	23020-023	2
.RING,HEAD LAMP MOUNT (Ref # 7)	23072-001	1
.SCREW PAN HEAD 3X12 (Ref # 8)	220B0312	2
.SPRING FOCUS ADJUST (Ref # 9)	23014-005	1
.WASHER (Ref # 10)	23021-004	1
.NUT,4MM (Ref # 11)	23020-018	1
.SEALED BEAM UNIT (Ref # 12)	23007-1006	1
.DUST COVER,HEAD LAMP (Ref # 13)	49016-1009	1
RING,HEAD LAMP MOUNT (Ref # 14)	23074-001	1
SCREW,PAN HEAD,5X14 (Ref # 15)	23019-022	2
SCREW,PAN HEAD,5X14 (Ref # 15)	23019-022	2
SOCKET ASSY,HEAD LAMP (Ref # 16)	23008-037	1
BOLT,10MM (Ref # 17)	92007-024	2
WASHER-PLAIN,10MM (Ref # 18)	411D1000	2
DAMPER RUBBER (Ref # 19)	23066-022	2
DAMPER RUBBER (Ref # 20)	23066-021	2
COLLAR (Ref # 21)	23052-010	2
WASHER PLAIN 10MM (Ref # 22)	410B1000	2
WASHER SPRING 10MM (Ref # 23)	461F1000	2
NUT 10MM (Ref # 24)	315B1000	2
BODY-COMP-HEAD LAMP (Ref # 25)	23005-1016	1
BODY-COMP-HEAD LAMP (Ref # 25)	23005-1016	1
GROMMET (Ref # 26)	92071-1008	1