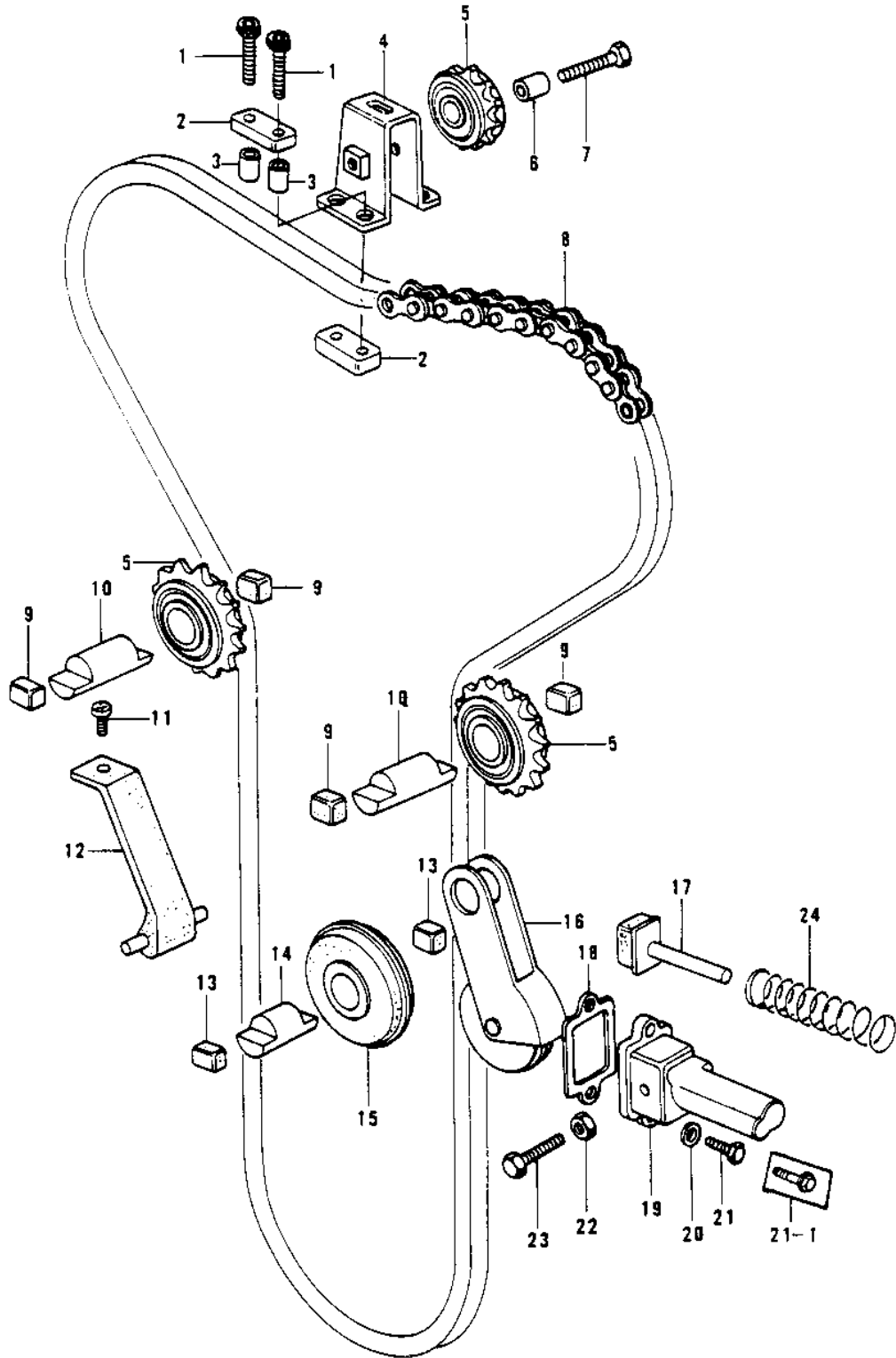


# 1978 Police 1000 PARTS DIAGRAM

CAM CHAIN/TENSIONER ('78 C1/C1A)



# 1978 Police 1000 PARTS LIST

## CAM CHAIN/TENSIONER ('78 C1/C1A)

| ITEM NAME                           | PART NUMBER | QUANTITY |
|-------------------------------------|-------------|----------|
| UNAVAILABLE IN PRICE BOOK (Ref # 1) | 1200632     | 4        |
| DAMPER RUBBER (Ref # 2)             | 92075-289   | 4        |
| COLLAR,8X15 (Ref # 3)               | 92027-1079  | 4        |
| IDLER ASSY,CAM CHAIN (Ref # 4)      | 12053-1016  | 1        |
| IDLER ASSY (Ref # 5)                | 12057-002   | 3        |
| COLLAR,IDLER (Ref # 6)              | 92027-261   | 1        |
| BOLT,FLANGED,6X25 (Ref # 7)         | 130G0625    | 1        |
| CHAIN,CAM SHAFT (Ref # 8)           | 21070-003   | 1        |
| RUBBER,GUIDE ROLLAR (Ref # 9)       | 92075-232   | 4        |
| SHAFT,GUIDE ROLLER (Ref # 10)       | 12052-005   | 2        |
| SCREW PAN HEAD 6X10 (Ref # 11)      | 220B0610    | 1        |
| GUIDE,CAM CHAIN (Ref # 12)          | 12053-019   | 1        |
| DAMPER RUBBER (Ref # 13)            | 92075-123   | 2        |
| SHAFT,CAM CHAIN GUID (Ref # 14)     | 12052-003   | 1        |
| ROLLER,CAM CHAIN GUI (Ref # 15)     | 12055-002   | 1        |
| TENSIONER ASSY,CHAIN (Ref # 16)     | 12048-001   | 1        |
| PUSH ROD,CAM CHAIN (Ref # 17)       | 12054-001   | 1        |
| GASKET,TENSIONER (Ref # 18)         | 11009-1980  | 1        |
| HOLDER,TENSIONER (Ref # 19)         | 12049-1003  | 1        |
| WASHER PLAIN 6MM (Ref # 20)         | 410B0600    | 2        |
| BOLT-UPSET,6X20 (Ref # 21)          | 112G0620    | 2        |
| BOLT,FLANGED,6X30 (Ref # 21-1)      | 130G0630    | 2        |
| NUT 6MM (Ref # 22)                  | 311B0600    | 1        |
| BOLT,TENSIONER ADJUS (Ref # 23)     | 92003-093   | 1        |
| SPRING,TENSTIONER (Ref # 24)        | 92081-107   | 1        |