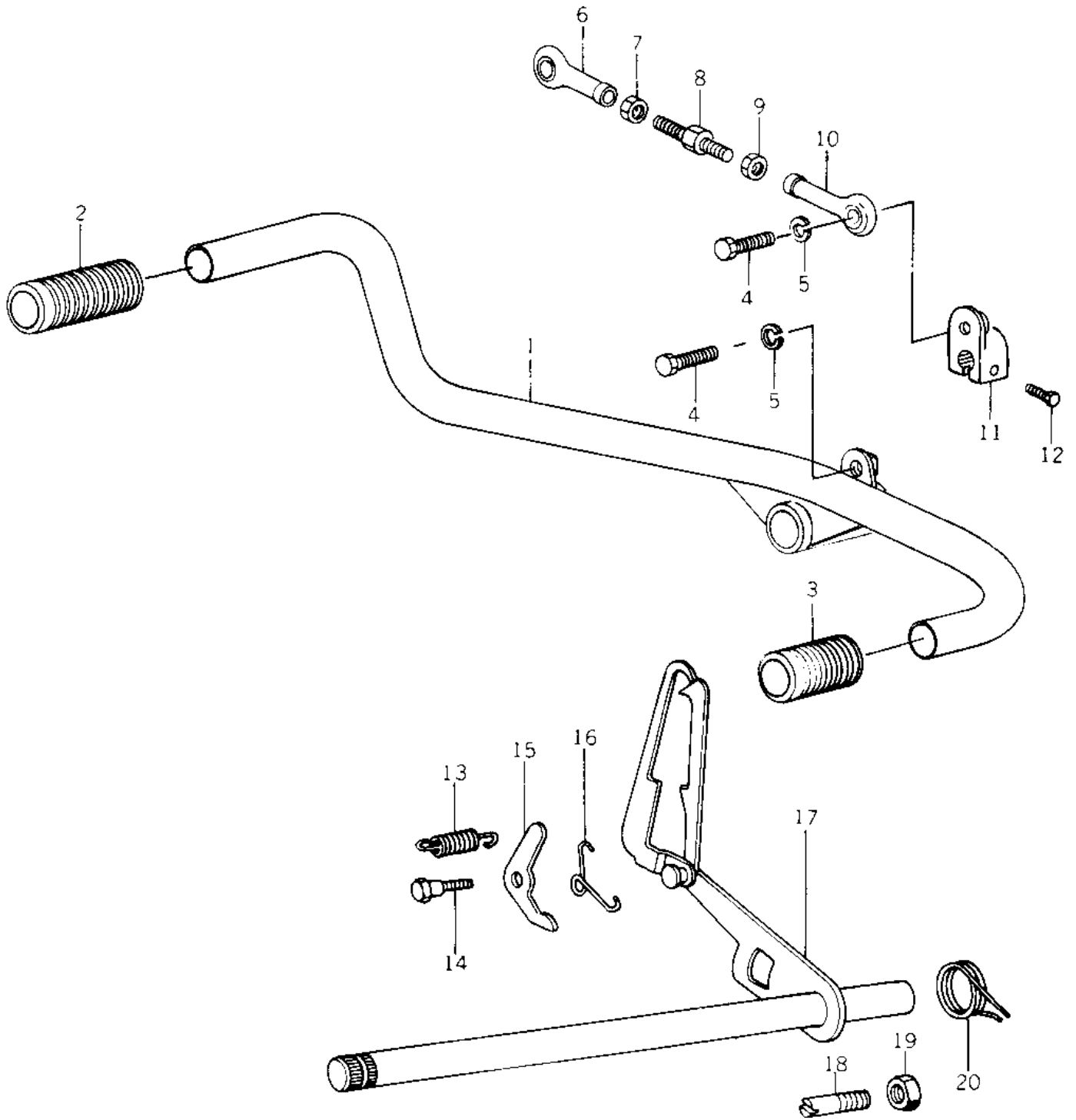


# 1978 Police 1000 PARTS DIAGRAM

GEAR CHANGE MECHANISM ('78 C1/C1A)



## 1978 Police 1000 PARTS LIST

### GEAR CHANGE MECHANISM ('78 C1/C1A)

ITEM NAME	PART NUMBER	QUANTITY
PEDAL, GEAR CHANGE (Ref # 1)	13242-1004	1
RUBBER KICK PEDAL (Ref # 2)	13063-004	1
DAMPER RUBB,GEAR CHN (Ref # 3)	92075-1021	1
BOLT-SMALL-UPSET 8X2 (Ref # 4)	115G0825	2
WASHER SPRING 8MM (Ref # 5)	461F0800	2
ROD END,TIE LH FEMAL (Ref # 6)	39112-1004	1
NUT,LH THREAD (Ref # 7)	92015-1006	1
BOLT,GEAR CHG LINKAG (Ref # 8)	92001-1038	1
NUT,RH THREAD (Ref # 9)	92015-1005	1
ROD END,TIE RH FEMAL (Ref # 10)	39112-1003	1
LEVER,CHANGE (Ref # 11)	13156-1007	1
BOLT-UPSET,6X20 (Ref # 12)	112G0620	1
SPRING CHNG DRUM LEV (Ref # 13)	92081-051	1
LEVER,GEAR CHNG DRUM (Ref # 15)	13168-024	1
SPRING,KICK PAWL (Ref # 16)	92083-018	1
LEVER ASSY GEAR CHNG (Ref # 17)	13161-029	1
PIN CHANGE PEDAL SPR (Ref # 18)	92043-057	1
NUT 8MM (Ref # 19)	312B0800	2
SPRING,CHG PEDL RTRN (Ref # 20)	92083-028	1