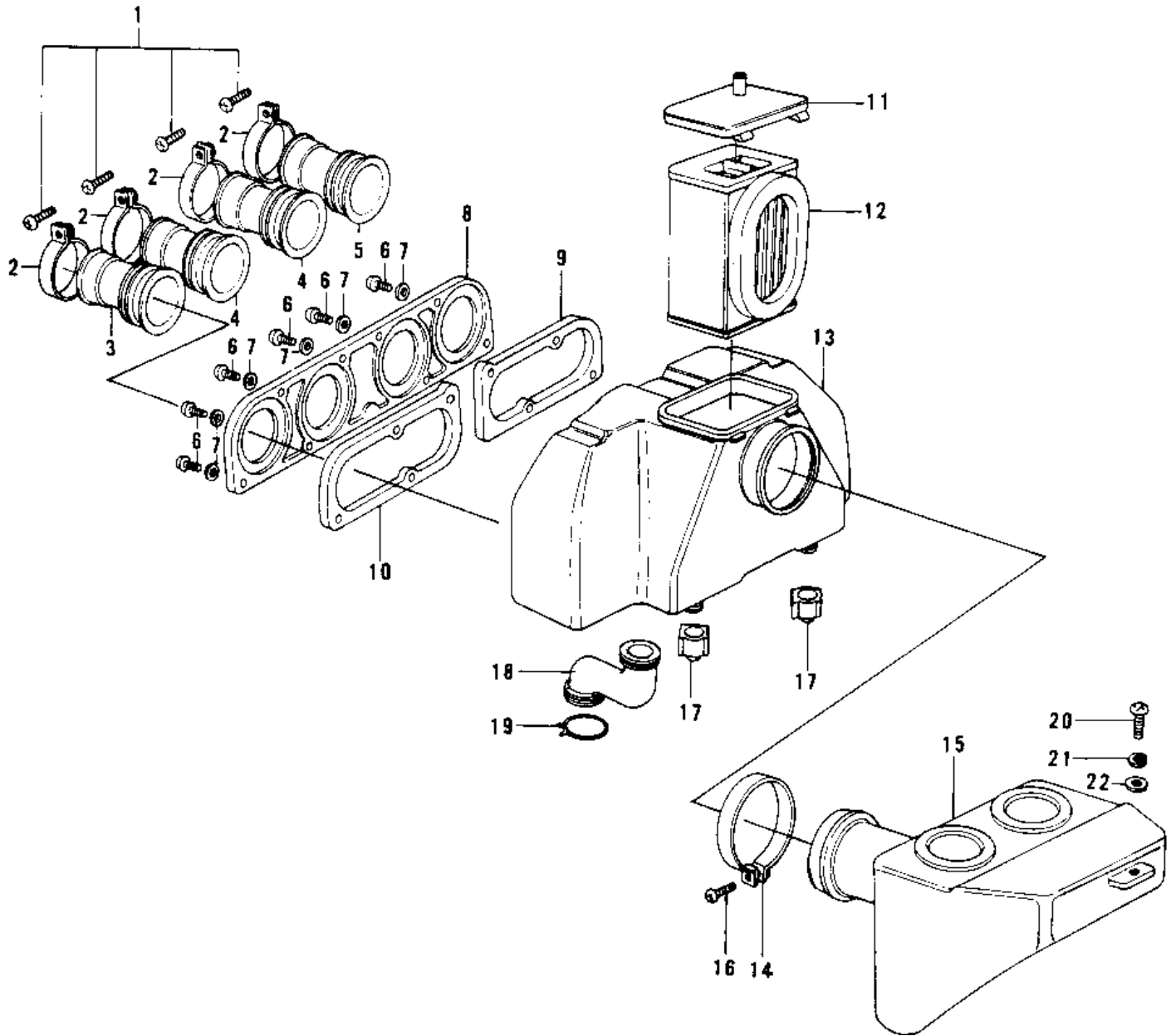


1978 Police 1000 PARTS DIAGRAM

AIR CLEANER (78 C1/C1A)



1978 Police 1000 PARTS LIST

AIR CLEANER (78 C1/C1A)

ITEM NAME	PART NUMBER	QUANTITY
SCREW-PAN-CROS (Ref # 1)	220B0535	4
CLAMP-INLET PIPE (Ref # 2)	92037-061	4
DUCT,AIR CLEANER,#1 (Ref # 3)	14073-1022	1
DUCT,AIR CLEANER,#2, (Ref # 4)	14073-1023	2
DUCT,AIR CLEANER,#4 (Ref # 5)	14073-1024	1
SCREW PAN HEAD 4X16 (Ref # 6)	220B0416	8
WASHER PLAIN 4MM (Ref # 7)	410B0400	8
PLATE,CARBURETOR HOL (Ref # 8)	11040-001	1
PLATE,CARBURETOR HOL (Ref # 9)	11040-003	1
PLATE,CARBURETOR HOL (Ref # 10)	11040-002	1
CAP,AIR CLEANER (Ref # 11)	11012-075	1
ELEMENT,AIR CLNR (Ref # 12)	11013-063	1
BODY,AIR CLEANER (Ref # 13)	11011-1025	1
CLAMP (Ref # 14)	92037-106	1
SILENCER (Ref # 15)	11016-009	1
BOLT,5X50 (Ref # 16)	92011-036	1
CAP,DRAIN (Ref # 17)	11012-1083	2
TUBE,DRAIN (Ref # 18)	92059-124	1
CLAMP BREATHER PIPE (Ref # 19)	92037-028	1
SCREW PAN HEAD 6X16 (Ref # 20)	220B0616	1
WASHER SPRING 6MM (Ref # 21)	461F0600	1
WASHER PLAIN 6MM (Ref # 22)	410B0600	1