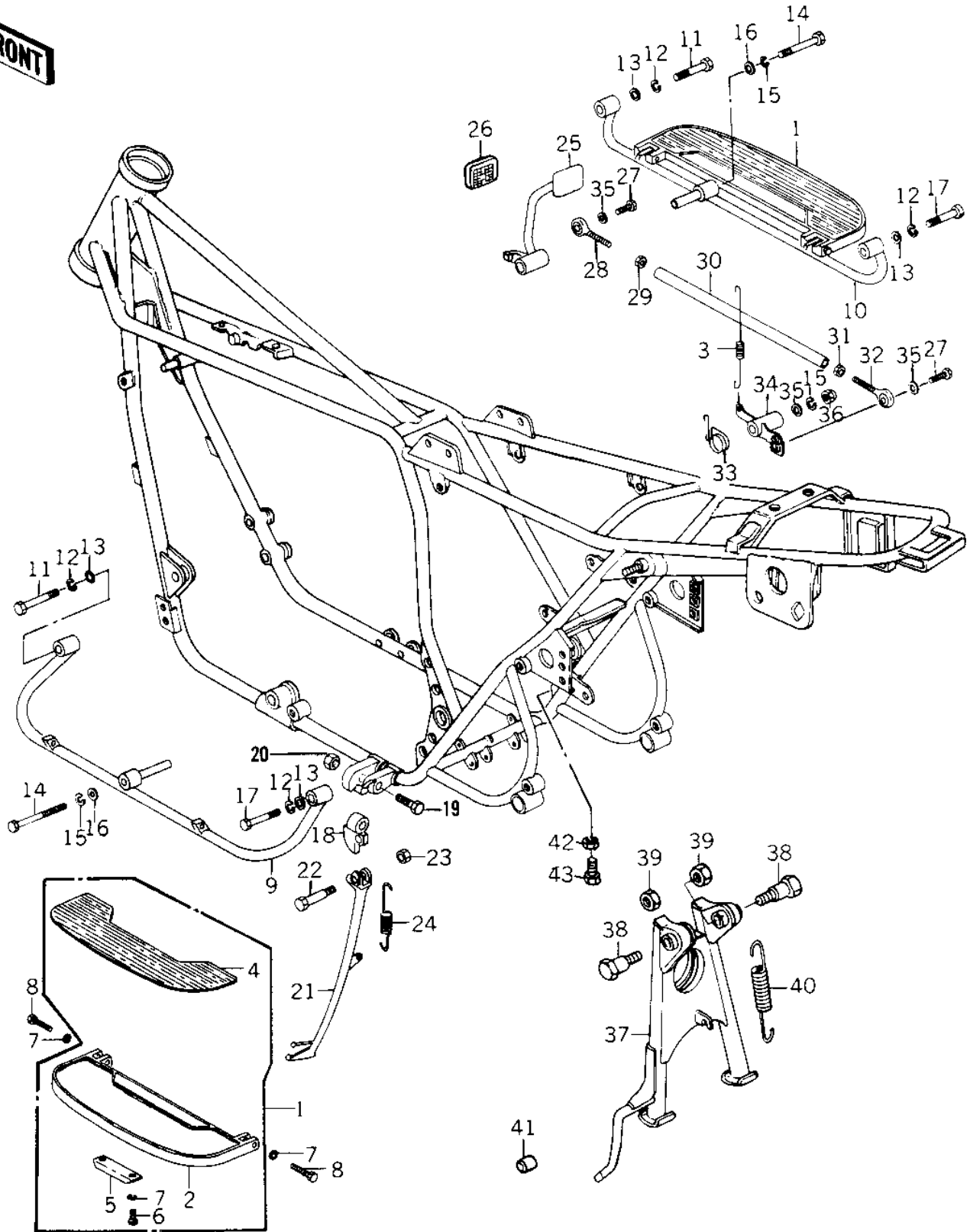


# 1978 Police 1000 PARTS DIAGRAM

FOOTRESTS/STANDS/BRAKE PEDAL ('78 C1/C1A)



# 1978 Police 1000 PARTS LIST

## FOOTRESTS/STANDS/BRAKE PEDAL ('78 C1/C1A)

ITEM NAME	PART NUMBER	QUANTITY
FOOTBOARD ASSY. (Ref # 1)	34027-1002	2
FOOTBOARD ASSY. (Ref # 2)	34027-1002	2
BRAKE SWITCH SPRING (Ref # 3)	27011-021	1
DAMPER ASSY,STEP (Ref # 4)	92075-4002	2
PLATE,FOOTBRD, SKID (Ref # 5)	13169-1011	2
BOLT,6X10 (Ref # 6)	112G0610	4
WASHER SPRING 6MM (Ref # 7)	461F0600	8
BOLT-UPSET (Ref # 8)	112G0645	4
BRKT,FOOTBOARD, LH (Ref # 9)	34003-1005	1
BRKT,FOOTBOARD, RH (Ref # 10)	34003-1006	1
BOLT,HEX HEAD,10X50 (Ref # 11)	92001-1254	2
WASHER SPRING 10MM (Ref # 12)	461F1000	4
WASHER PLAIN 10MM (Ref # 13)	411B1000	4
BOLT-SMALL-UPSET,8X1 (Ref # 14)	115B08105	2
WASHER SPRING 8MM (Ref # 15)	461F0800	5
WASHER PLAIN 8MM (Ref # 16)	410B0800	2
BOLT,HEX HEAD,10X60 (Ref # 17)	113B1060	2
BRACKET-STAND,SIDE S (Ref # 18)	32043-4004	1
BOLT,HEX HEAD,8M/M (Ref # 19)	92001-4004	1
NUT 8MM (Ref # 20)	312B0800	1
STAND-SIDE (Ref # 21)	34024-1216	1
BOLT,SIDE STAND (Ref # 22)	92001-4028	1
NUT 10MM (Ref # 23)	315B1000	1
SPRING,SIDE STAND (Ref # 24)	34025-005	1
PEDAL, BRAKE (Ref # 25)	43001-1006	1
RUBBER,BRAKE PEDAL (Ref # 26)	43091-002	1
BOLT-SMALL-UPSET 8X2 (Ref # 27)	115G0825	2
ROD END,TIE LH MALE (Ref # 28)	39112-1002	1
NUT,LH THREAD (Ref # 29)	92015-1006	1

## 1978 Police 1000 PARTS LIST

FOOTRESTS/STANDS/BRAKE PEDAL ('78 C1/C1A)

ITEM NAME	PART NUMBER	QUANTITY
CONTROL ROD,BRAKE PD (Ref # 30)	39111-1001	1
NUT,RH THREAD (Ref # 31)	92015-1005	1
ROD END,TIE RH MALE (Ref # 32)	39112-1001	1
SPRING,BRAKE PEDAL (Ref # 33)	43005-037	1
SHAFT,REAR BRAKE (Ref # 34)	43004-1004	1
WASHER,8.5X20X1.6 (Ref # 35)	92022-1561	3
NUT,CAP AND LOCK,8MM (Ref # 36)	92019-013	1
STAND-MAIN (Ref # 37)	34011-1015	1
SHAFT MAIN STAND (Ref # 38)	34019-014	2
NUT,MAIN STAND FITT (Ref # 39)	92016-044	2
SPRING,MAIN STAND (Ref # 40)	34023-012	1
DAMPER,MAIN STAND (Ref # 41)	92075-318	2
NUT 6MM (Ref # 42)	311B0600	1
BOLT-UPSET,6X20 (Ref # 43)	112G0620	1