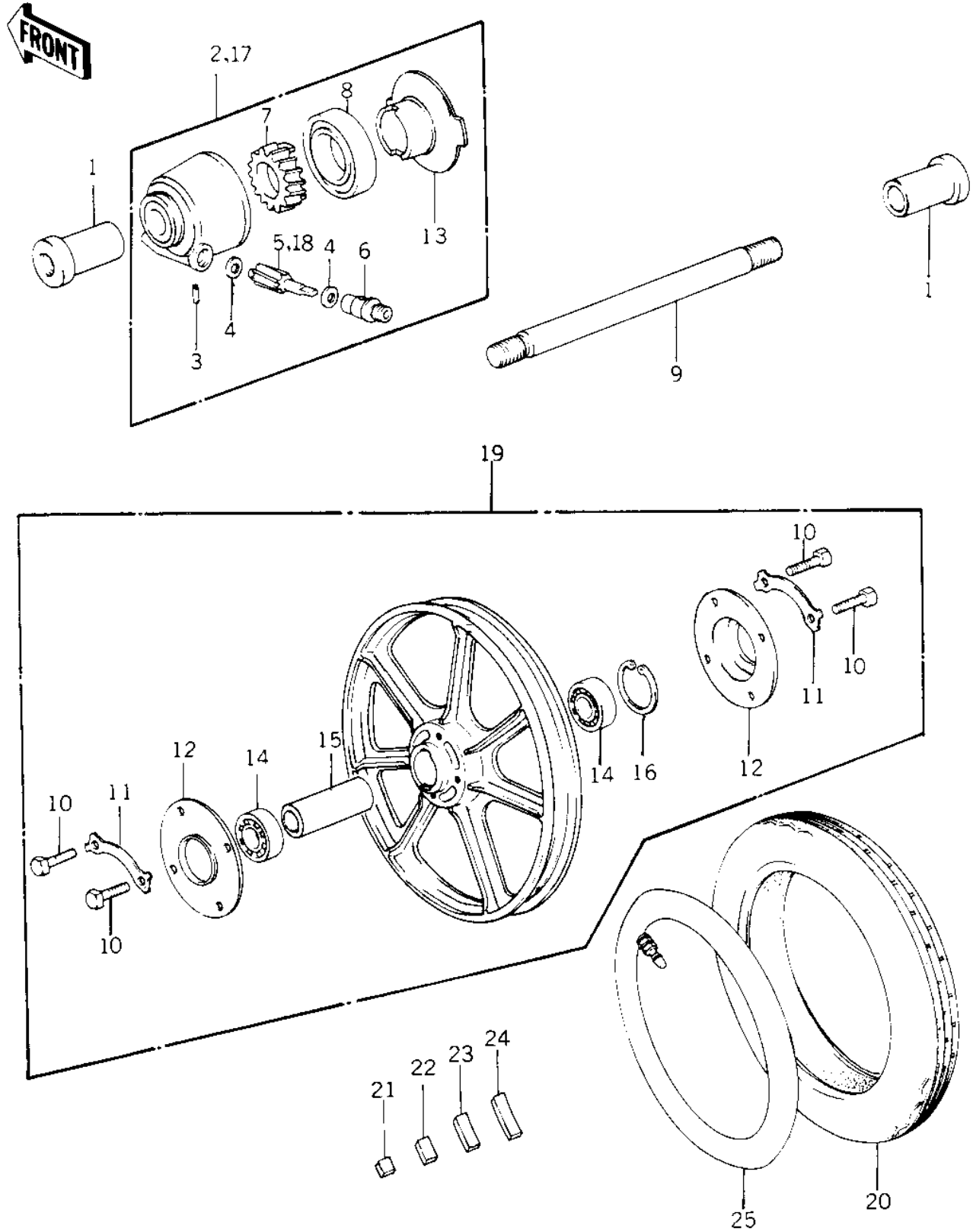


1978 Police 1000 PARTS DIAGRAM

FRONT WHEEL/TIRE/HUB (78 C1/C1A)



1978 Police 1000 PARTS LIST

FRONT WHEEL/TIRE/HUB ('78 C1/C1A)

ITEM NAME	PART NUMBER	QUANTITY
COLLAR,FRONT AXLE (Ref # 1)	41069-033	2
GEAR BOX ASSY (Ref # 2)	41078-1002	1
PIN,SPRING (Ref # 3)	41082-001	2
WASHER THRST SPD PIN (Ref # 4)	41063-001	4
PINION,SPEEDOMETER (Ref # 5)	41060-017	1
BUSH,SPEEDMETER CABL (Ref # 6)	41062-005	2
GEAR,SPEEDOMETER (Ref # 7)	41059-026	1
OIL SEAL,BJN30427-C3 (Ref # 8)	92049-1057	2
AXLE,FRONT (Ref # 9)	41068-1005	1
BOLT (Ref # 10)	92001-158	8
WASHER,LOCK (Ref # 11)	92088-023	4
DUST COVER (Ref # 12)	41042-014	2
RECEIVER,SPEEDMT GEA (Ref # 13)	41064-1002	2
BRG,BALL,#6303ZZC3 (Ref # 14)	601B6303ZZ	2
COLLAR,FR HUB BEARIN (Ref # 15)	92027-1028	1
CIRCLIP,47M/M (Ref # 16)	92033-1042	1
PINION,SPEEDOMETER (Ref # 18)	41060-1006	1
41073-1019 (Canada) (Ref # 19)	41073-1006	1
SOLID WHEEL ASSY,FRN (Ref # 19)	41073-1019	1
TIRE MN90-18 F16 (Ref # 20)	41002-4021	1
BALANCER 5G (Ref # 21)	41075-005	AR
BALANCER 10G (Ref # 22)	41075-006	AR
BALANCER 20G (Ref # 23)	41075-007	AR
BALANCER 30G (Ref # 24)	41075-008	AR
TUBE,FRONT V18-19 (Ref # 25)	41022-4001	1